



# 27" (68.6 CM) AND 30" (76.2 CM) ELECTRIC BUILT-IN MICROWAVE/OVEN COMBINATION

## PRODUCT MODEL NUMBERS

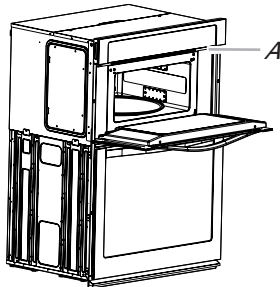
MMW7730D

MMW9730F

## ELECTRICAL CONNECTION

To properly install your oven, you must determine the type of electrical connection you will be using and follow the instructions provided for it here.

- Oven must be connected to the proper electrical voltage, amperage, and frequency as specified on the model/serial number rating plate. See the following illustration.



A. Model/serial number plate

- Models rated from 7.3 to 9.6 kW at 240 volts (5.5 to 7.2 kW at 208 volts) require a separate 40-amp circuit. Models rated at 7.2 kW and below at 240 volts (5.4 kW and below at 208 volts) require a separate 30-amp circuit.
- A circuit breaker is recommended.
- If the house has aluminum wiring, follow the procedure below:
  1. Connect a section of solid copper wire to the ends of the flexible conduit leads.
  2. Connect the aluminum wiring to the added section of copper wire using special connectors and/or tools designed and UL listed for joining copper to aluminum.

Follow the electrical connector manufacturer's recommended procedure. Aluminum/copper connection must conform with local codes and industry accepted wiring practices.

For power requirements, refer to the following table.

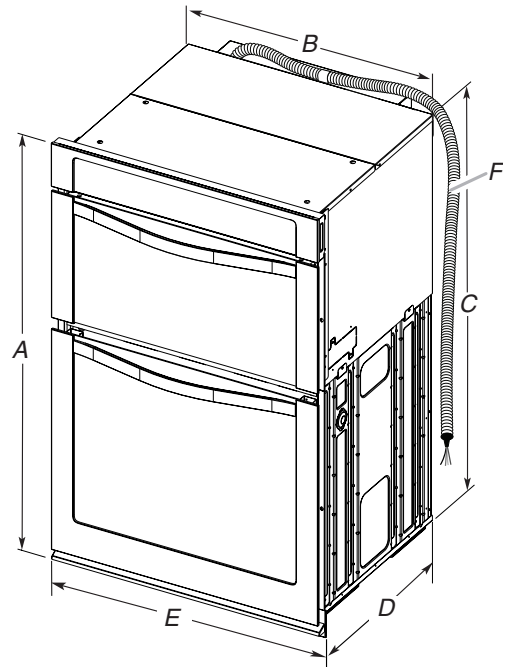
Model	Voltage	Amperage (L1)*	Amperage (L2)*	Rating (kW)
MMW9730	120/240	30	15	7.2
	129/208	28	15	5.9

\* L1 includes both the microwave and the oven, and L2 includes only the oven. Amperage values noted above are for information purposes only: The units are rated in watts.

## PRODUCT DIMENSIONS

### Product Dimensions

27" (68.6 cm) and 30" (76.2 cm) Ovens



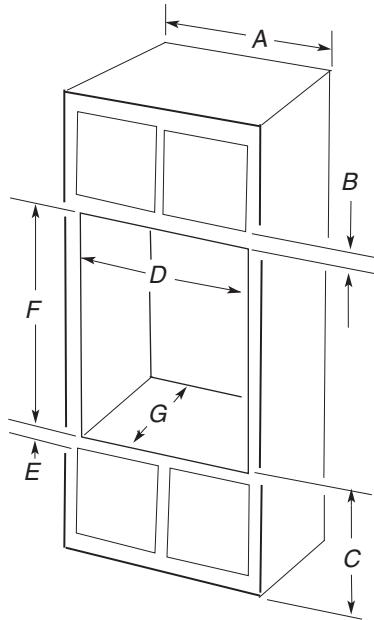
#### 27" (68.6 cm) models

- A. 42<sup>9</sup>/<sub>16</sub>" (108.0 cm) overall height
- B. 25<sup>7</sup>/<sub>16</sub>" (64.6 cm) recessed width
- C. 41" (104.1 cm) recessed height
- D. 23<sup>1</sup>/<sub>4</sub>" (59.1 cm) max. recessed depth
- E. 27" (68.6 cm) overall width
- F. 48" (121.9 cm) Flexible conduit length measured from the conduit clamp located at the rear of the oven. Do not remove the conduit clamp.

#### 30" (76.2 cm) models

- A. 42<sup>9</sup>/<sub>16</sub>" (108.0 cm) overall height
- B. 28<sup>1</sup>/<sub>2</sub>" (72.3 cm) recessed width
- C. 41" (104.1 cm) recessed height
- D. 23<sup>1</sup>/<sub>4</sub>" (59.1 cm) max. recessed depth
- E. 30" (76.2 cm) overall width
- F. 48" (121.9 cm) Flexible conduit length measured from the conduit clamp located at the rear of the oven. Do not remove the conduit clamp.

**Cabinet Dimensions**  
**27" (68.6 cm) and 30" (76.2 cm) Ovens**



**27" (68.6 cm) models**

- A. 27" (68.6 cm) min. cabinet width
- B. 1" (2.5 cm) top of cutout to bottom of upper cabinet door
- C. 19<sup>1</sup>/<sub>4</sub>" (48.9 cm) bottom of cutout to floor is recommended.  
4"-19<sup>1</sup>/<sub>4</sub>" (10.2-48.9 cm) bottom of cutout to floor is acceptable.
- D. 25<sup>1</sup>/<sub>2</sub>" (64.8 cm) cutout width
- E. 1<sup>1</sup>/<sub>2</sub>" (3.8 cm) min. bottom of cutout to top of cabinet door
- F. 41<sup>5</sup>/<sub>16</sub>" (105 cm)\* recommended cutout height
- G. 24" (60.7 cm) cutout depth

**30" (76.2 cm) models**

- A. 30" (76.2 cm) min. cabinet width
- B. 1" (2.5 cm) top of cutout to bottom of upper cabinet door
- C. 19<sup>1</sup>/<sub>4</sub>" (48.9 cm) bottom of cutout to floor is recommended.  
4"-19<sup>1</sup>/<sub>4</sub>" (10.2-48.9 cm) bottom of cutout to floor is acceptable.
- D. 28<sup>1</sup>/<sub>2</sub>" (72.4 cm) cutout width
- E. 1<sup>1</sup>/<sub>2</sub>" (3.8 cm) min. bottom of cutout to top of cabinet door
- F. 41<sup>5</sup>/<sub>16</sub>" (105 cm)\* recommended cutout height
- G. 24" (60.7 cm) cutout depth

\* **NOTE:** The cutout height can be between 41" (104.1 cm) and 41<sup>1</sup>/<sub>2</sub>" (105.6 cm) for microwave/oven combination.