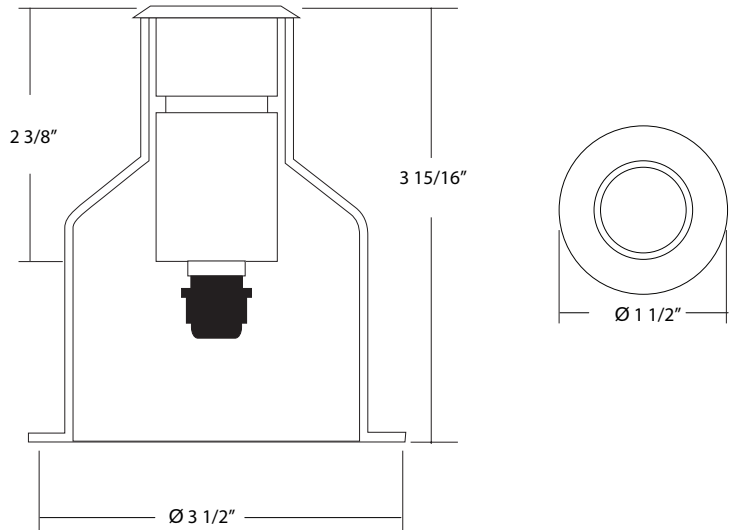


23815-018



- Stainless steel ring
AISI 316 - CD Range
- Half frosted tempered glass
- 3 feet of silicone wire included
- Polypropilene housing for recess included
- Ready to be installed

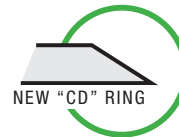
5 YEAR WARRANTY



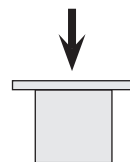
1 x 1 WATT CREE SUPER LED
3000 KELVINS
DRIVER NOT INCLUDED 350mA 12V
IP 67



SPOT 5°



NEW "CD" RING



MAX 5.000 kg