

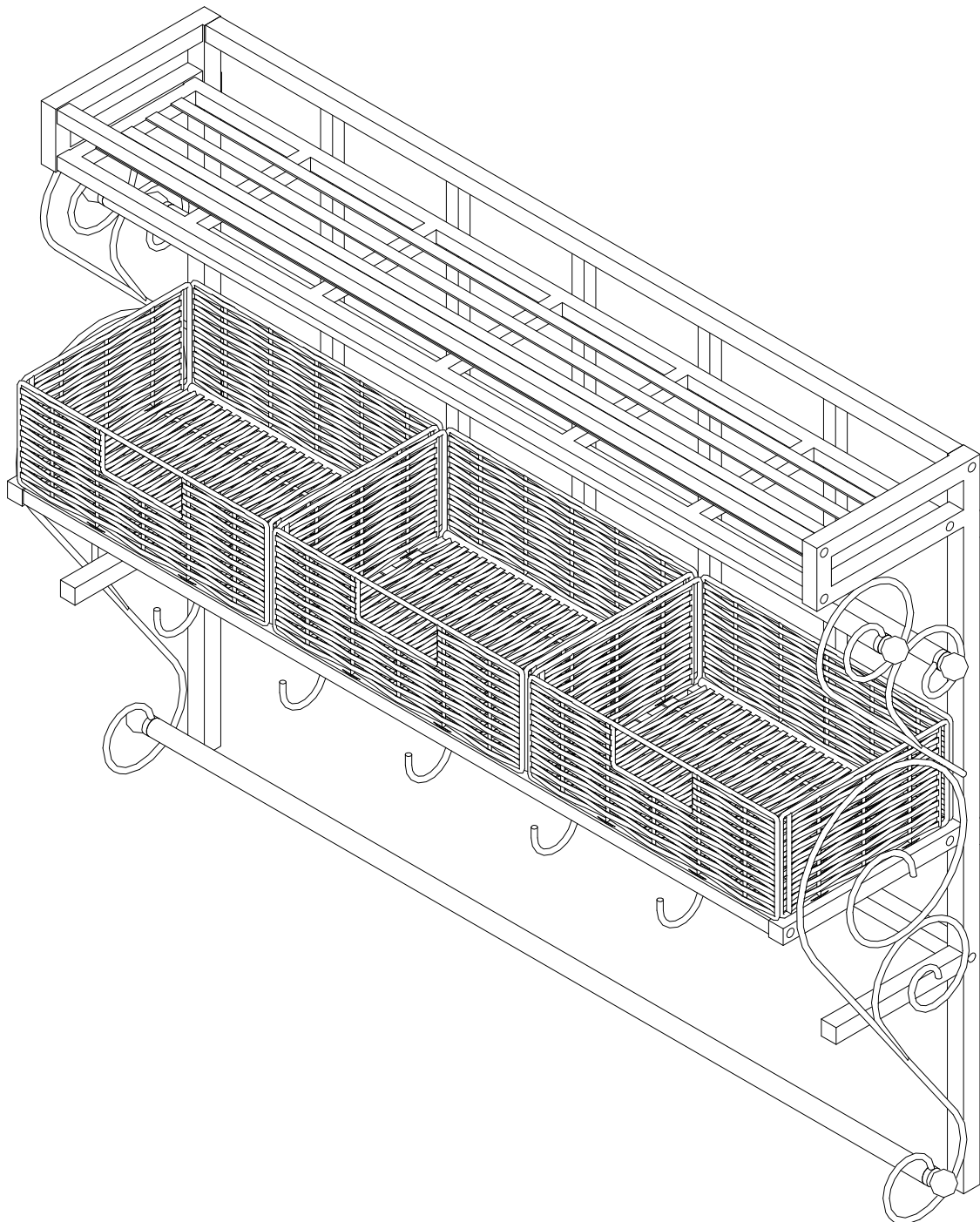
HZ624500TX

WALL MOUNT CRAFT STORAGE
RACK-MATT BLACK METAL WITH
ESPRESSO BASKETS

Assembly Instructions



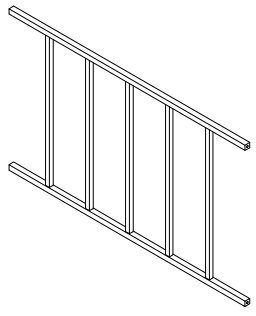
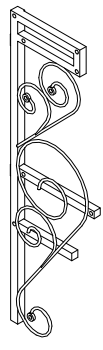
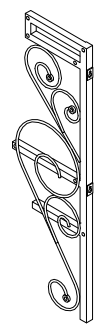
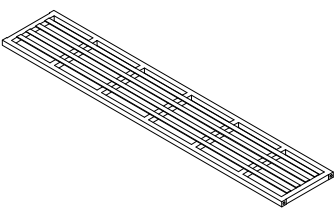
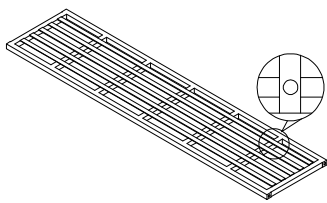
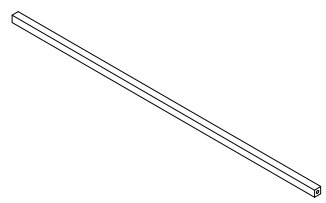
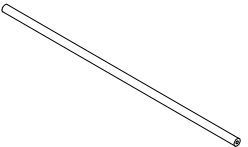
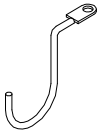
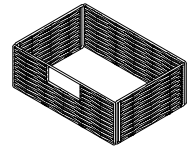
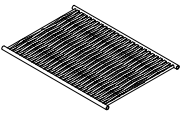
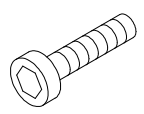
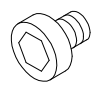
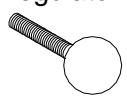

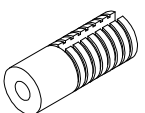
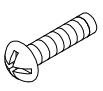

For assistance with assembly contact:
Southern Enterprises Inc.
Customer Service 1-800-633-5096
service@seidal.com
www.seidal.com



WALL MOUNT CRAFT STORAGE RACK-MATT BLACK METAL WITH ESPRESSO BASKETS

Parts List

Please review all parts and hardware before disposing of any packaging. Call Customer Service if missing hardware. Do not return to store/retailer. Using a screw that is too long will cause damage. Before beginning assembly, separate each type of screw. Carefully study the screw diagrams below . You may receive extra hardware with your unit.

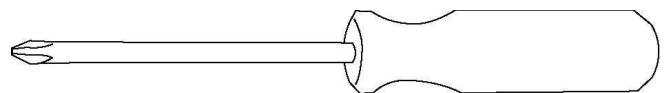
<p>A . Back Panel Quantity of 1</p> 	<p>B. Left side Panel Quantity of 1</p> 	<p>C. Right Side Panel Quantity of 1</p> 
<p>D. Small Frame Quantity of 1</p> 	<p>E. Bottom Large frame Quantity of 1</p> 	<p>F. Tube Quantity of 1</p> 
<p>G. Cross bar Quantity of 3</p> 	<p>H. Hook Quantity of 5</p> 	<p>J. Wicker Basket Quantity of 3</p> 
<p>K. Wicker Bottom panel Quantity of 3</p> 	<p>1 . Bolt Quantity of 14 1/4"*1-1/4"L</p> 	
<p>2.Short Bolt Quantity of 5 1/4"*1/2"L</p> 	<p>3.Spherical Regulator Quantity of 6</p> 	<p>4. Wood screw Quantity of 4</p> 
<p>5. Wall anchor Quantity of 4</p> 	<p>6. Phillip Bolt Quantity of 12 4.0*5/8"</p> 	<p>7.Allen Wrench Quantity of 1</p> 

Care and Cleaning Instructions:

Before using, wipe with a clean, dry cloth.
Avoid rubbing or scratching

For replacement parts or questions, please
Call Customer Service at 1-800-633-5096
Do not return product to store, please call
Manufacturer for assistance, questions or Parts.

Assembly Tool Required
No.2 Phillip Screwdriver (Not Included)



Tool List: 1/4" drill bit, drill, tape measure and pencil.

WALL MOUNT CRAFT STORAGE RACK-MATT BLACK METAL WITH ESPRESSO BASKETS

Assembly Instructions

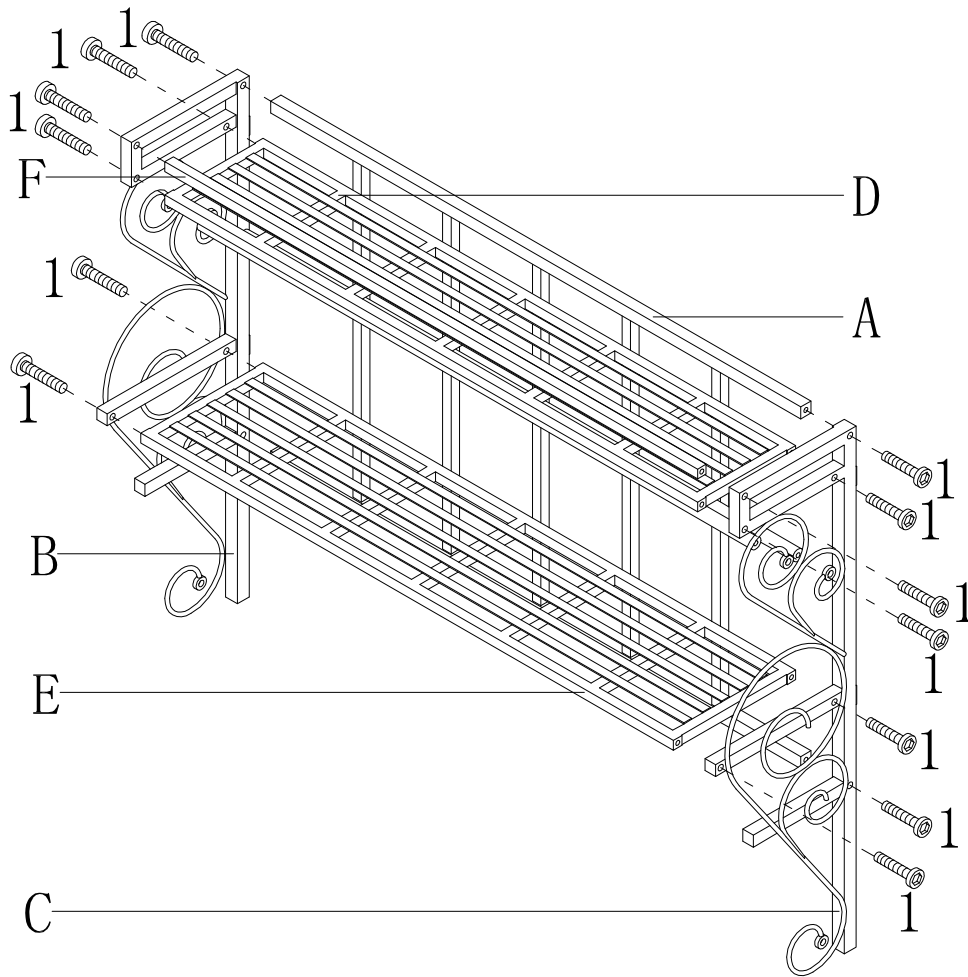


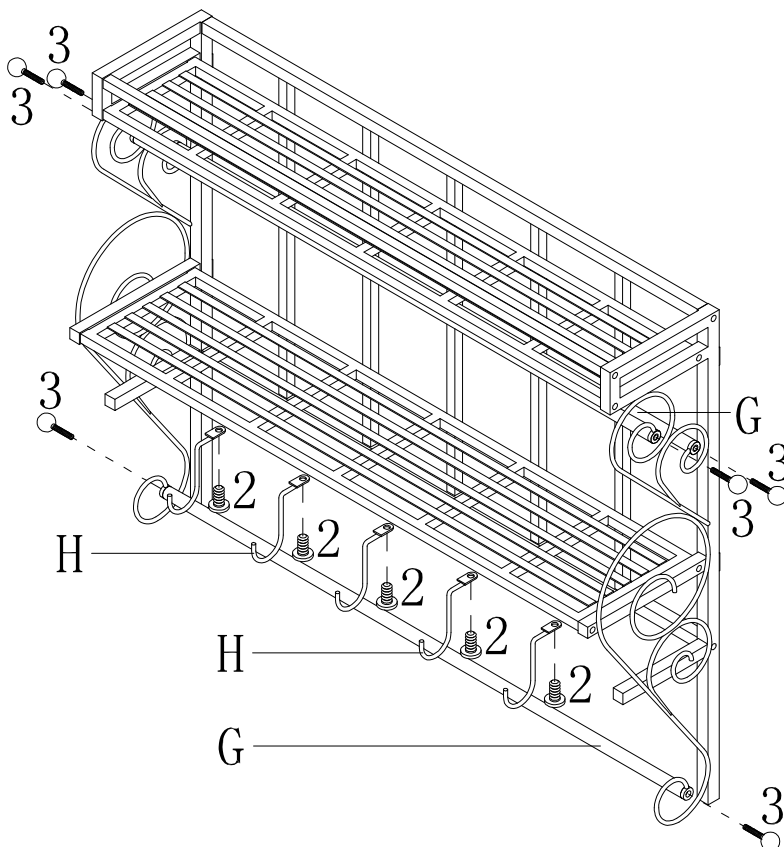
Figure 1

Assembly Instructions: Unpack and lay parts on clean, padded surface like carpet or blanket. Check that you have all parts indicated on the front page.

Please insert 4pcs Bolts (1) through holes on both side Panel (B & C) to tighten Back panels (A) by Allen Wrench (7).

Please insert 2pcs Bolts (1) through holes on both side Panel (B & C) to tighten Tube (F) by Allen Wrench (7).

Please insert 8pcs Bolts (1) through holes on both side Panel (B & C) to tighten both Frames (D & E) by Allen Wrench (7).

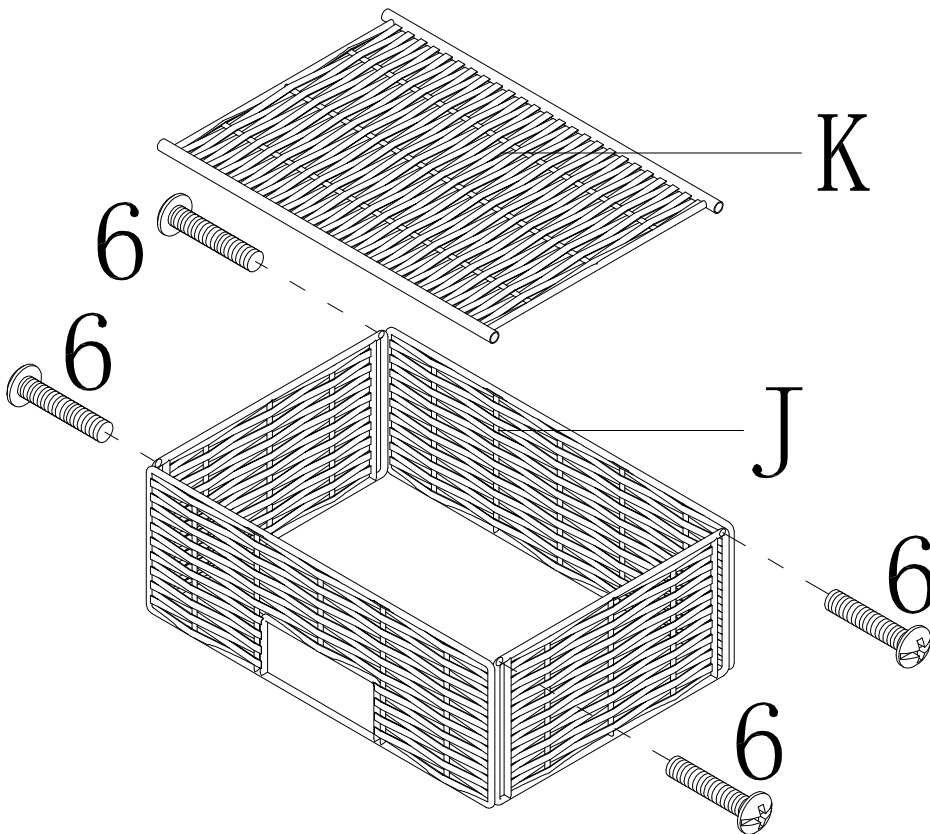


Please insert 5pcs Short Bolts (2) through holes on Hooks (H) to attach 4pcs hooks to Bottom Large frame (E) by Wrench (7)

Please insert 6pcs Spherical Regulator (3) through holes on side of both Side Panels (B & C) to tighten 3pcs Cross bars (G) by hands

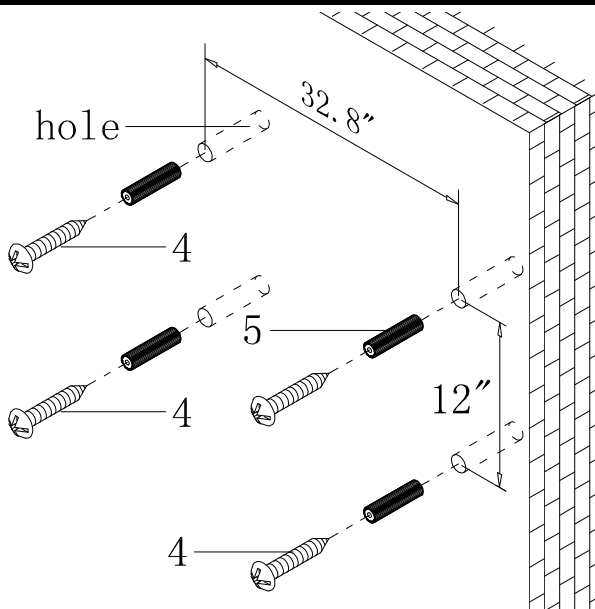
Figure 2

WALL MOUNT CRAFT STORAGE RACK-MATT BLACK METAL WITH ESPRESSO BASKETS
Assembly Instructions



Please put Basket Bottom panel (K) into Wicker Basket (J), secure and tighten them with Phillip Bolt (6) by No.2 Phillips Screwdriver (Not Included)

Figure 3



Drill 4pcs 1/4" holes in wall 32.8" & 12" apart.

Insert wall anchors(5) into holes in wall. Screw 4pcs wood Screws(4) into Wall anchors(5).

Put the complete metal rack onto Wood Screws(4)

Then put the complete baskets onto Frame (E).

Now your CRAFT rack is ready to use

Figure 4



Customer Service 1-800-633-5096
service@seidal.com
Southern Enterprises Inc.
600 Freeport Parkway,
Suite 200 Coppell, Texas, 75019

HZ624500TX - Parts Replacement Form

Customer Information

Name

Address

City/State/Zip Code

Phone Number

Please indicate where you purchased this item: Store/Website/Catalog

Please indicate color/size/style number:

Style No	Parts Letter	Parts Description	Quantity Needed
----------	--------------	-------------------	-----------------

Missing or damaged hardware and/or parts will be replaced free of charge. We do not sell parts. Southern

Enterprises Inc. will provide replacement parts for only those items purchased within the last 9 months. If this product has not been purchased from our retail affiliates (within 9 months), we are under no obligation to provide parts or replacement merchandise. Parts will not be available for items arriving fully assembled. Parts will be sent if available from SEI

Please contact Southern Enterprises at 800-633-5096 or in Dallas (972) 869-0111/ 9am – 4pm Mon-Fri Central time if you have product issues with your purchase. Please ask for a customer service representative for issues involving damages or replacement parts. Please ask for a technical assistance representative for any issues with product assembly and product construction.

Please contact the retailer that you purchased from for returns.

We'd love to hear from you! Email us photos of our products in your home at sei@seidal.com and we might feature it on our site or use it to model one of our inspirational photos.