

# Nantucket

Model # 5820  
Address Sign



## DESCRIPTION

Add a touch of class with our Nantucket Address Sign. This all-season address sign will provide your property with years of elegance and sophistication, all with minimal effort.

- Weather resistant, low maintenance material
- No painting or staining required
- Easy installation over standard 4x4 wood posts
- Double sided sign (*mount plaques on front and back*)
- Molded from 100% polyethylene with UV inhibitors
- Warranty: 15-Yr Residential Use / 5-Yr Commercial Use



## PRODUCT DIMENSIONS

**Outside Dimensions:** 6.9in L x 39in W x 31.5in H (17.5cm x 99.1cm x 80cm)

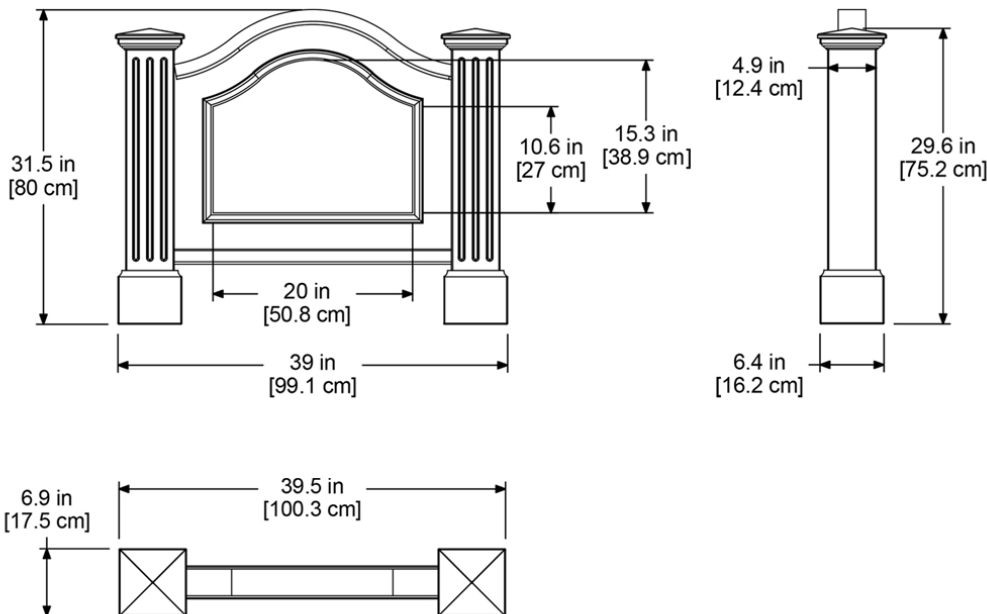
**Plaque Mounting Area:** 20in W x 10.6 H (50.8cm x 27cm) \*15.3in H in the middle

**Wall Thickness:** 0.125in (3.17mm)

**Part Weight:** 12.9lbs (5.9kg)

**Material:** Polyethylene

*Note: 4x4 wood posts, address plaque, and plaque mounting hardware NOT included*



**MAYNE**<sup>®</sup>  
Outdoor Products of Distinction

7024 Kilbourne Rd - Unit A London, ON N6P 1K6  
Tel: 866-363-8834 | [www.gomayne.com](http://www.gomayne.com)  
[customerservice@gomayne.com](mailto:customerservice@gomayne.com)