



## Features

- Comfort Depth® design offers a convenient 19-inch step-over height while retaining the same depth as a standard 21-inch bath.
- Molded lumbar support offers extra comfort while bathing.
- Slotted overflow allows for deep soaking.
- Integral apron.
- Integral flange helps prevent water from seeping behind wall and simplifies alcove installation.
- Textured bottom surface
- Left-hand drain.
- Coordinates with other products in the Archer collection.

## Material

- Acrylic

## Installation

- Three-wall alcove.

## Required Accessories

K-7271 Brass Slotted Overflow Bath Drain

or

K-7272 PVC Slotted Overflow Bath Drain



**ADA**

## Codes/Standards

CSA B45.5/IAPMO Z124

UL 1795

Greenguard UL 2818 - Gold

ADA

ICC/ANSI A117.1

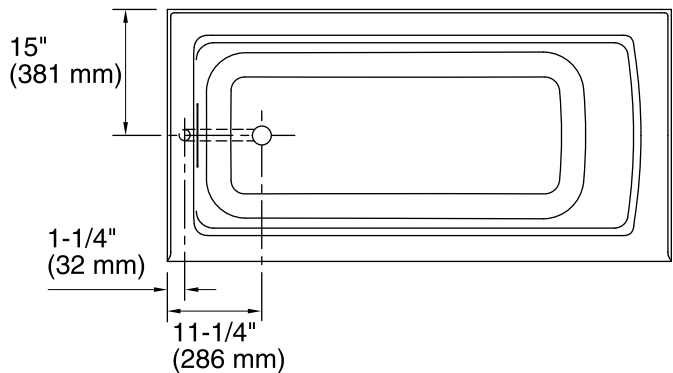
## KOHLER® Plastic Baths and Receptors Lifetime Limited Warranty

See website for detailed warranty information.

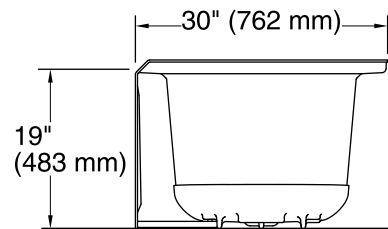
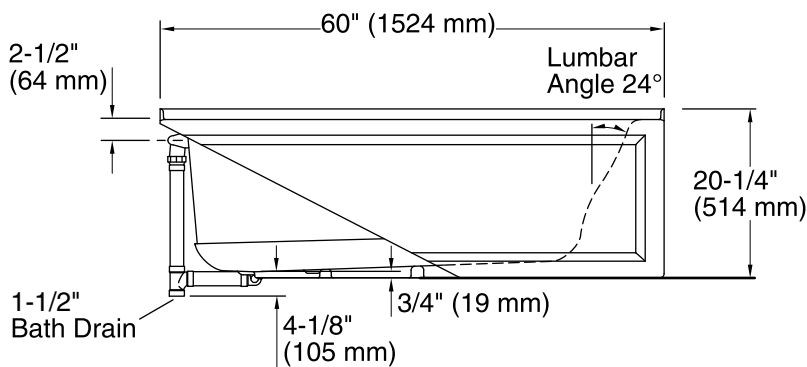
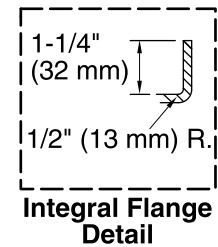
## Available Color/Finishes

*Color tiles intended for reference only.*

| Color | Code | Description   |
|-------|------|---------------|
|       | 0    | White         |
|       | 96   | Biscuit       |
|       | 47   | Almond        |
|       | NY   | Dune          |
|       | 95   | Ice™ Grey     |
|       | G9   | Sandbar       |
|       | K4   | Cashmere      |
|       | 58   | Thunder™ Grey |
|       | 7    | Black Black™  |



No change in measurements if connected with drain illustrated. (K-7272)



### Technical Information

All product dimensions are nominal.

|                        |   |
|------------------------|---|
| Installation:          | 3-Wall Alcove                                     |
| Drain location:        | Left  |
| Basin area, bottom:    | 45-1/8" x 19-11/16" (1146 mm x 500 mm)            |
| Basin area, top:       | 52-1/8" x 22-1/16" (1324 mm x 560 mm)             |
| Weight:                | 73 lbs (33.1 kg)                                  |
| Minimum floor load:    | 46 lbs/ft <sup>2</sup> (224.6 kg/m <sup>2</sup> ) |
| Water depth:           | 15-1/8" (384 mm)                                  |
| Water capacity:        | 57 gal (215.8 L)                                  |
| Minimum flat for door: | 2" (51 mm)  |

### Notes

- Measure your actual product for rough-in details. Install this product according to the installation instructions.
- The hot water supply should be 70% of the capacity of the bath or greater. Installations will vary.
- ADA compliant when installed to the specific requirements of these regulations.