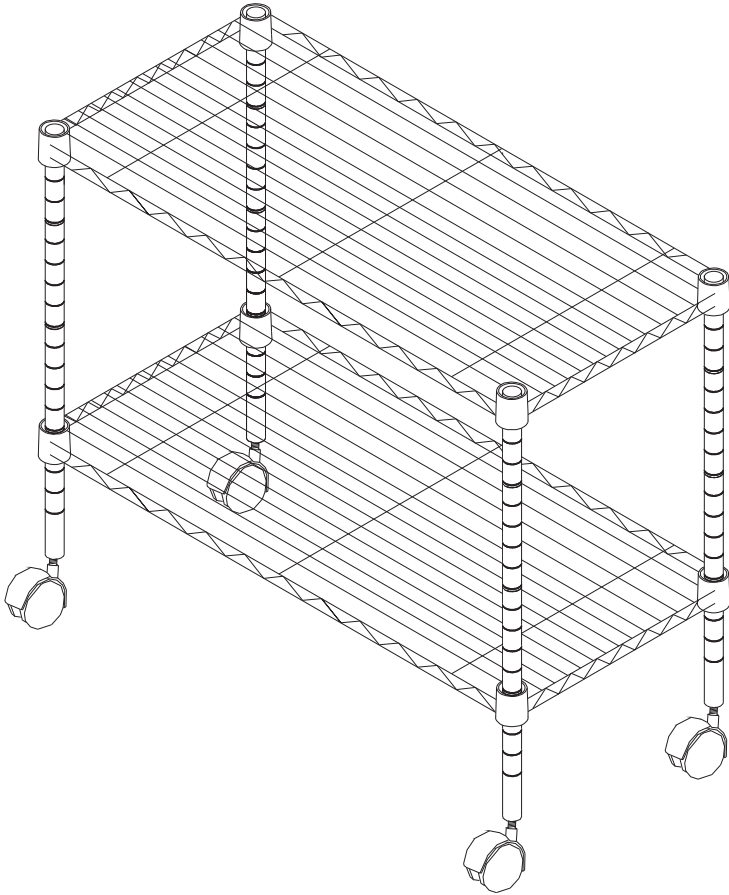




CRT-03937

media cart



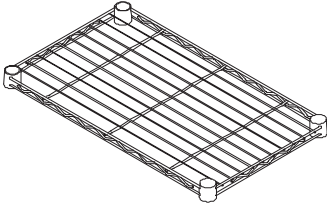
18 in L x 36 in W x 19.5 in H (45.72 cm L x 91.44 cm W x 49.53 cm H)

PARTS LIST

PART/ILLUSTRATION

(QTY) DESCRIPTION

A



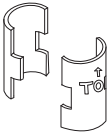
(2) shelf

B



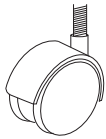
(4) pole

C



(8) shelf support clips

D



(4) casters

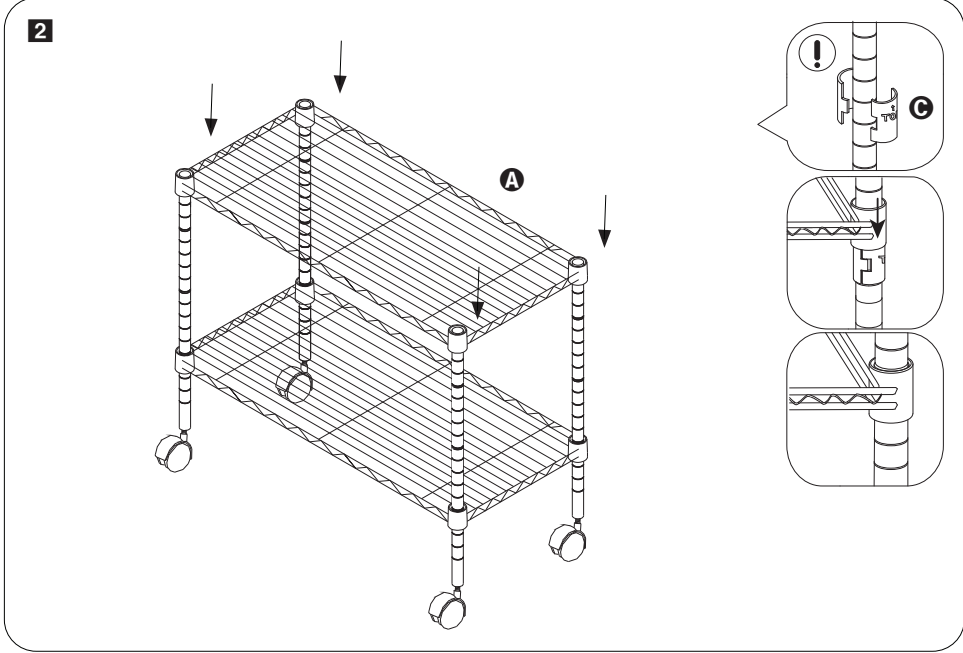
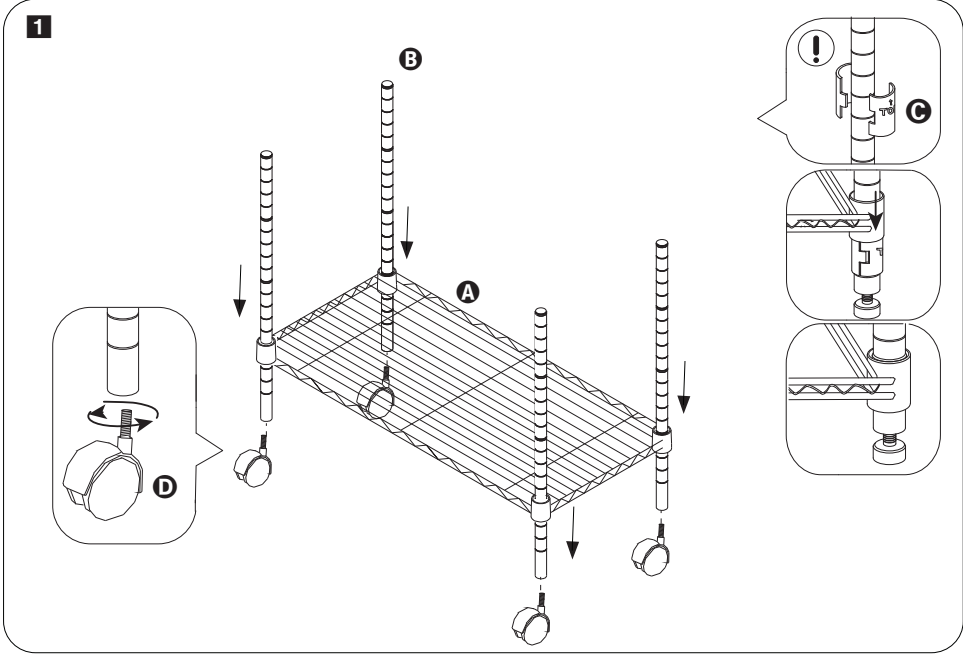
E



(4) packaging



ASSEMBLY





YOUR SOURCE FOR
ORGANIZATION,
STORAGE & STYLE

LIMITED LIFETIME WARRANTY

Honey-Can-Do International, LLC (HCD) warrants its' products will be free from defects in materials and workmanship when used for personal or household use, except as provided below. HCD, at its' option, may offer a comparable product or offer a replacement part or request that the item be returned to the place of purchase. This warranty DOES NOT apply to damage caused by negligence, misuse, excessive use, improper cleaning, improper assembly, or any circumstances not directly attributable to manufacturing defects. Proof of purchase is required in the form of a receipt (copy or original) to validate warranty. HCD provides this limited lifetime warranty in lieu of all warranties either expressed or implied. In no event shall HCD, its' affiliates or subsidiaries, be responsible for consequential or incidental damages arising out of a claim of defective product. Some states or provinces do not allow certain exclusions or limitations, so the above statement may not apply to you. This warranty gives you specific legal rights, and you may also have other rights which vary by state or province.

Honey-Can-Do International

5750 McDermott Drive, Berkeley, IL 60163 USA

877.242.2636 | www.honeycando.com

©2011 Honey-Can-Do International, LLC | All Rights Reserved