

! DANGER: ELECTROCUTION

BEFORE PROCEEDING WITH ANY INSTALLATION, ADJUSTMENT, ALTERATION, OR SERVICE, ALL CIRCUIT BREAKERS AND DISCONNECT SWITCHES SERVICING THE APPLIANCE MUST BE TURNED OFF. FAILURE TO DO SO COULD RESULT IN SERIOUS PERSONAL INJURY OR DEATH.

! DANGER: ELECTROCUTION

NEVER REMOVE THE APPLIANCE'S COVER UNLESS THE ELECTRICITY SERVICING THE APPLIANCE IS TURNED OFF. FAILURE TO DO SO COULD RESULT IN PERSONAL INJURY OR DEATH.

All Tankless Models

Stiebel Eltron tankless water heaters are designed for a very long service life. Actual life expectancy will vary with water quality and use.

In areas with hard water that produces scale, descaling of the entire unit may be required, and should be performed as often as necessary. We recommend the Flow-Aide System (Stiebel Eltron part # 540000) for this procedure. In these areas, consideration should also be given to installing a filter that will prevent scale buildup on the cold water supply to the water heater. We recommend the Scale TAC-ler Water Conditioner (Stiebel Eltron part # 692442) for this.

Scale and dirt may build up in the filter screen in the unit and should periodically be removed. Following all directions and precautions in this manual, regularly clean the filter screen and replace if necessary. Always shut off power to the unit at the circuit breakers and water at the unit's isolation valves prior to removing the filter screen.

Scale and dirt build up may also occur at the hot water outlets served by the unit, such as the faucet aerator, or shower head. Keeping these filter screens clean will ensure consistent water flow.

CLEANING: Use a damp cloth to clean of the unit's housing. Do not use any abrasive or corrosive cleaning agents.

! DANGER: BURNS

WATER TEMPERATURES OVER 125°F (51°C) CAN CAUSE SEVERE BURNS INSTANTLY OR DEATH FROM SCALDING. A HOT WATER SCALDING POTENTIAL EXISTS IF THE THERMOSTAT ON THE APPLIANCE IS SET TOO HIGH. HOUSEHOLDS WITH SMALL CHILDREN, DISABLED OR ELDERLY PERSONS MAY REQUIRE THAT THERMOSTATS BE SET AT 120°F (48°C) OR LOWER TO PREVENT POSSIBLE INJURY FROM HOT WATER.

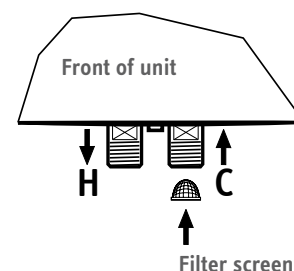
CAUTION: OTHER THAN THE FILTER SCREEN, THESE APPLIANCES DO NOT CONTAIN ANY PARTS SERVICEABLE BY THE LAY PERSON. IN CASE OF MALFUNCTION, PLEASE CONTACT A LICENSED PLUMBER OR ELECTRICIAN.

Mini™ and Mini™-E Models

Following all directions and precautions in this manual, regularly clean the filter screen located in the cold water inlet connection and replace if necessary. Descaling can be done using a descaling solution or household vinegar.

To access the filter screen in a Mini™, always shut off power to the unit at the circuit breakers and water at the unit's isolation valves prior to removing the filter screen. Then disconnect the cold water supply at the unit. Remove the filter screen by reaching up into the cold inlet pipe with a small flathead screwdriver and while putting pressure on the inside of the screen's plastic rim, pull the screen down and out. Clean and replace the filter screen, or install a new one. Never run the unit without the filter screen in place.

Filter screen location in Mini™ and Mini™-E models



26.02_05_0065

DHC Models

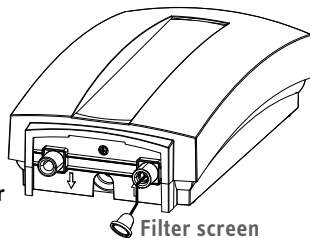
The filter screen in DHC models is in one of two locations. In models from 2015 and newer the screen is located in the cold water inlet connection, the same as in a Mini™, DHC-E, or Tempra®. In older DHC models, the filter screen is located in the top of the cold water supply tube.

To access the filter screen in a newer DHC model, always shut off power to the unit at the circuit breakers and water at the unit's isolation valves prior to removing the filter screen. Then remove the cold water connection and pull the filter screen down and out of the unit. Clean and replace the filter screen, or install a new one, into its original position. Never run the unit without the filter screen in place.

To access the filter screen in an older DHC model, always shut off power to the unit at the circuit breakers and water at the unit's isolation valves prior to removing the filter screen. Then loosen nut at base of cold water supply tube. (Refer to the illustration below.) Rotate cold water supply tube counterclockwise 90 degrees and pull towards bottom of unit. Clean screen and put the screen, the cold water supply tube and the ground wire back into their original position. Be sure the ground wire is reinstalled, the ground screw is securely fastened, and the nut on the cold water supply tube is tight before the unit is returned to service. Clean and replace the filter screen, or install a new one, into its original position. Never run the unit without the filter screen in place.

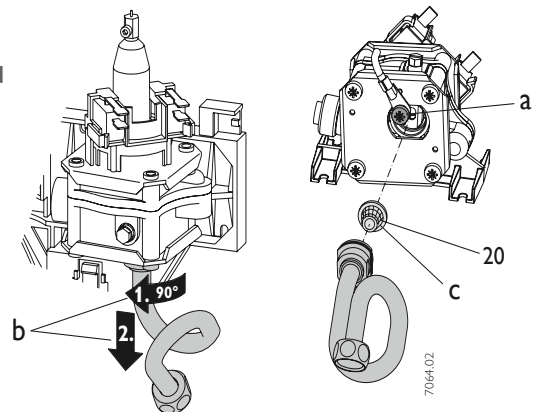
Filter screen location in DHC models

Models 2015 and newer



Models prior to 2015

- a Location of ground wire to be removed
- b Rotate cold water supply tube after nut is loosened
- c Filter screen



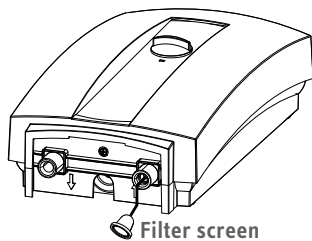
Continued on next page >

DHC-E Models and Tempra® Models

To access the filter screen in a DHC-E model, always shut off power to the unit at the circuit breakers and water at the unit's isolation valves prior to removing the filter screen. Then remove the cold water connection and pull the filter screen down and out of the unit. Clean and replace the filter screen, or install a new one, into its original position. Never run the unit without the filter screen in place.

To access the filter screen in a Tempra® model, always shut off power to the unit at the circuit breakers and water at the unit's isolation valves prior to removing the filter screen. Then remove the cold water inlet connection (right-hand side when facing unit) and remove the washer (2). Next, pull the filter screen (1) down and out of the unit with needle nose pliers. Clean and replace the filter screen, or install a new one, into its original position along with the washer. Never run the unit without the filter screen in place.

Filter screen location in DHC-E models



The amount of heat put into the water is controlled electronically in Tempra® and DHC-E models. Using the knob on the front cover, set the output water temperature to any temperature between 86°F (30°C) and 140°F (60°C). For most applications we recommend setting only to the highest temperature for normal use, typically 108°F (42°C) to 116°F (47°C) for a shower. This lower setting will increase the life of the unit.

The outlet temperature of a Tempra® Plus, DHC-E 8/10, or DHC-E 12 model can be limited to 109°F (43°C). Consult your installer if your unit has been set to this limit and you require a higher temperature.

If the "Power" LED is flashing on a standard Tempra®, DHC-E 8/10, or DHC-E 12 unit while it is operating, the water flow rate exceeds the heating capacity of the unit. Reducing the flow of hot water or setting a lower temperature will let the unit achieve the set point temperature.

Filter screen location in Tempra® models



› Video tutorial:

[Cleaning a Filter Screen on Tempra® Water Heaters](#)