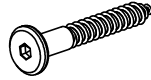


Assembly Instruction

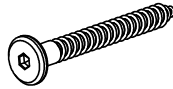
① Screw
M4 x 40 mm: 04 pcs



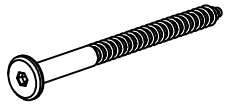
② Screw
M7 x 50 mm: 14 pcs



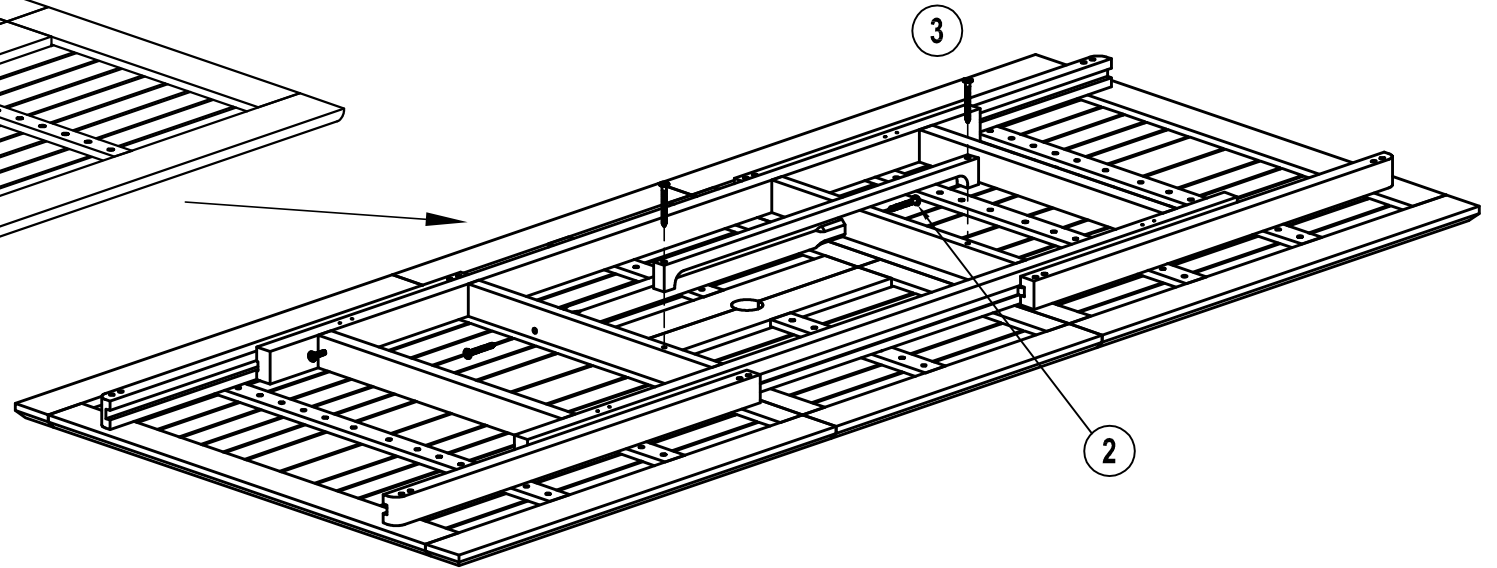
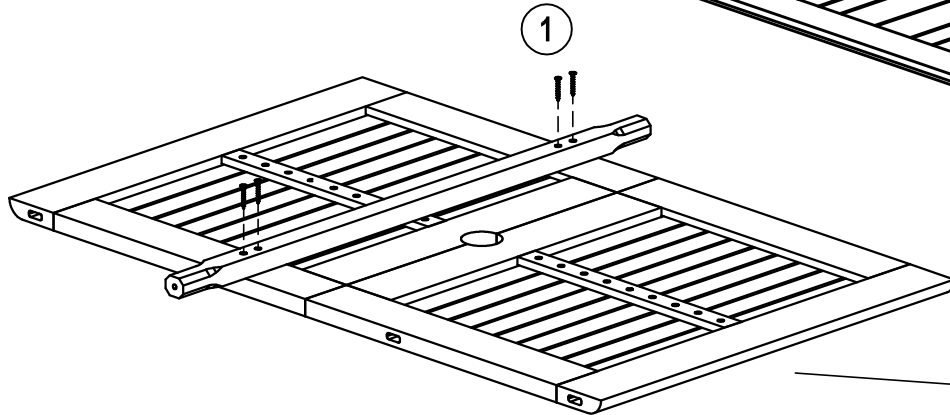
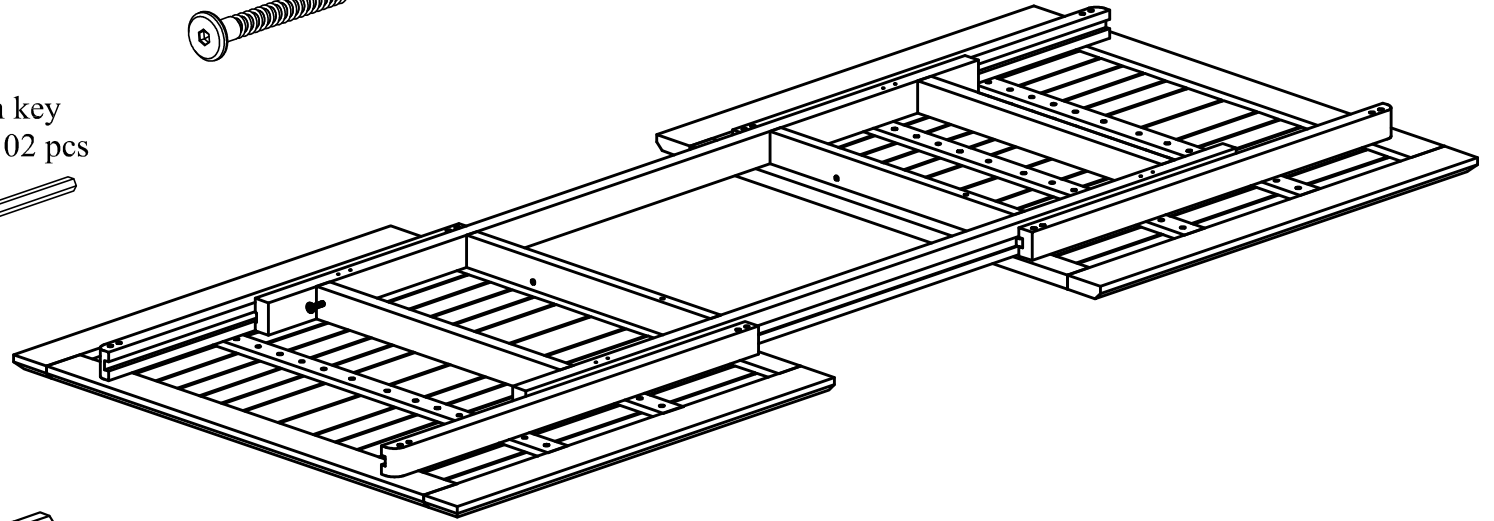
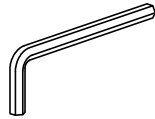
③ Screw
M7 x 70 mm: 02 pcs



④ Screw
M7 x 90 mm: 04 pcs

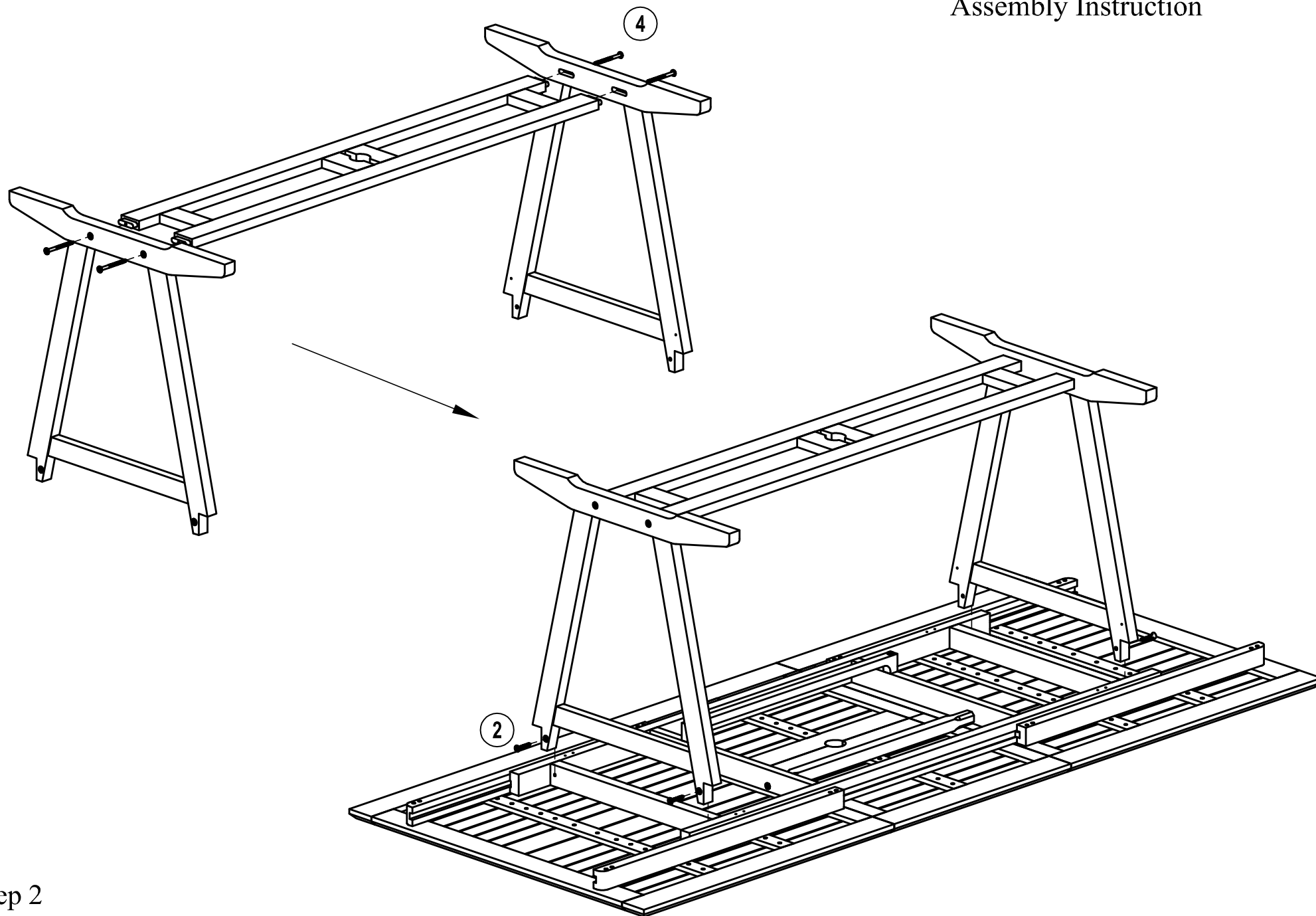


⑤ Allen key
M4: 02 pcs



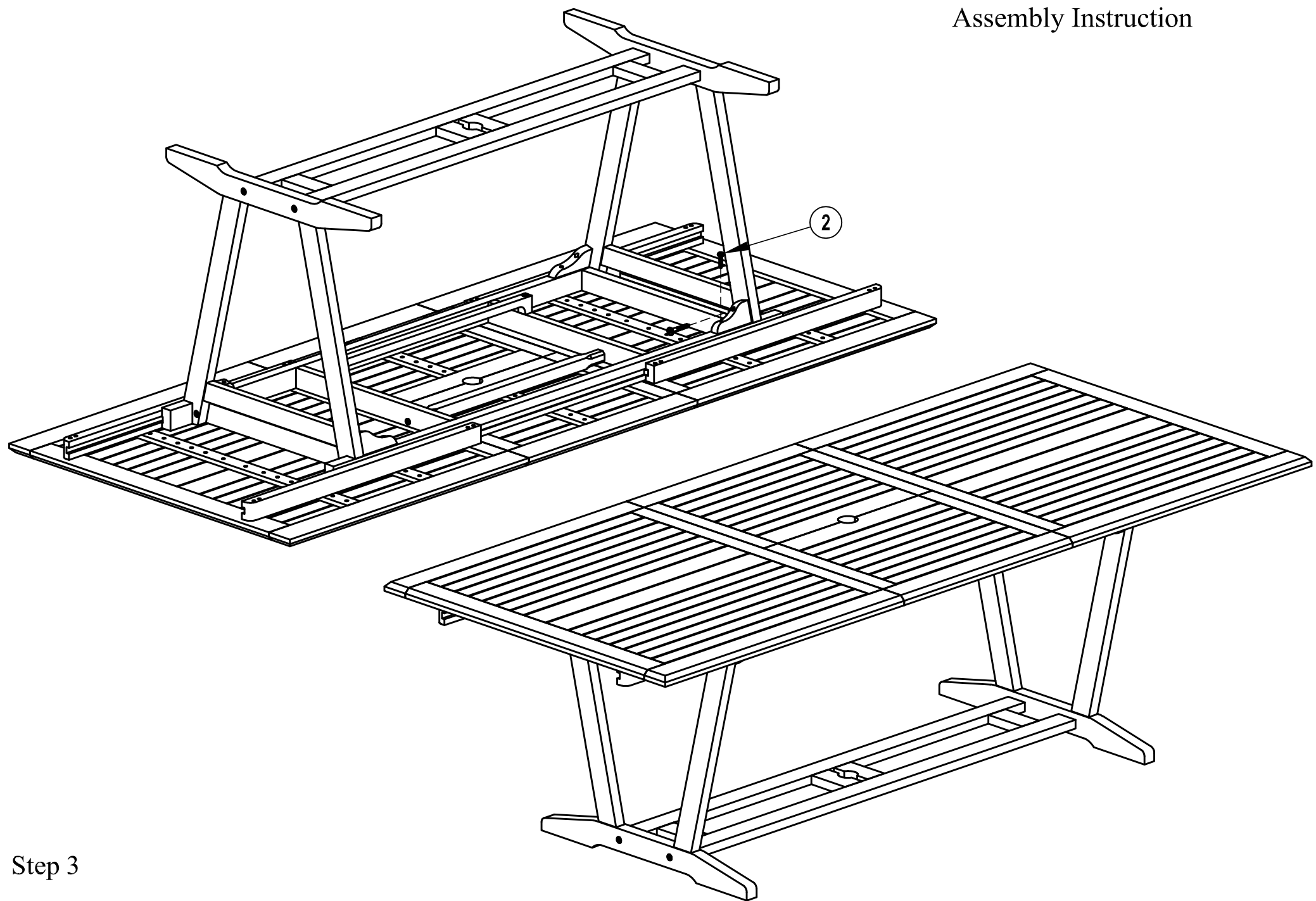
Step 1

Assembly Instruction





Step 2

Assembly Instruction



Step 3

ASSEMBLY INSTRUCTION

Item	Name	Q.ty	Describe
A	F - Screw 7x70	6	
B	F-Screw 7x40	2	
C	Allen Key	2	