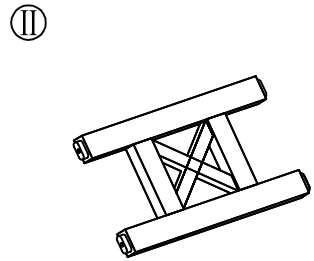
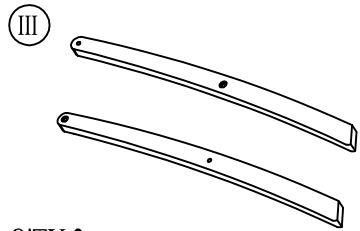


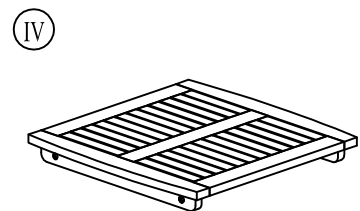
Q'TY 2
Short leg part (Right & left)



Q'TY 1



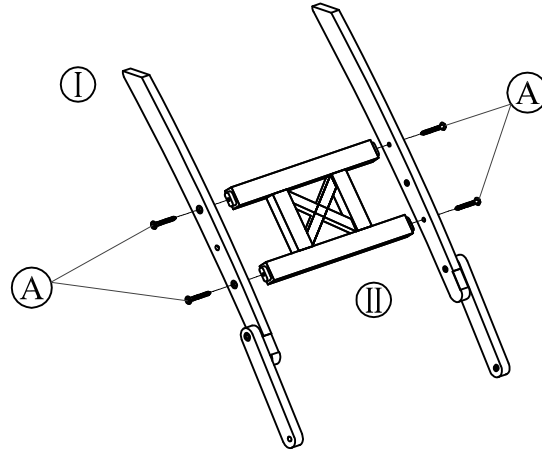
Q'TY 2
Long leg part (Right & left)



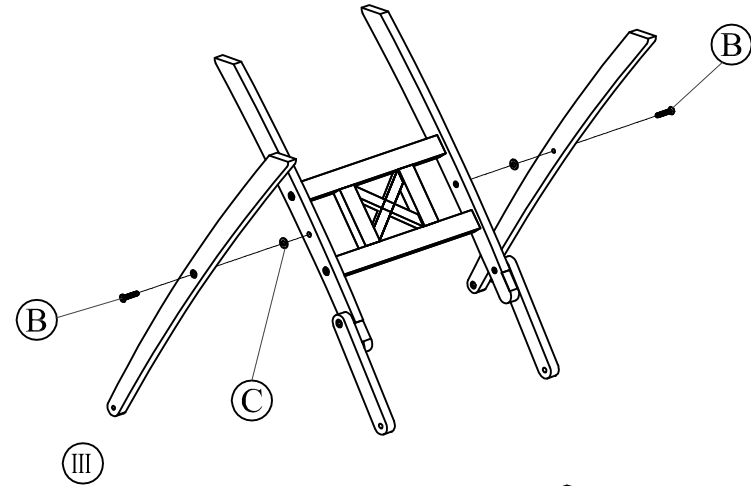
Q'TY 1

Assembly Instruction

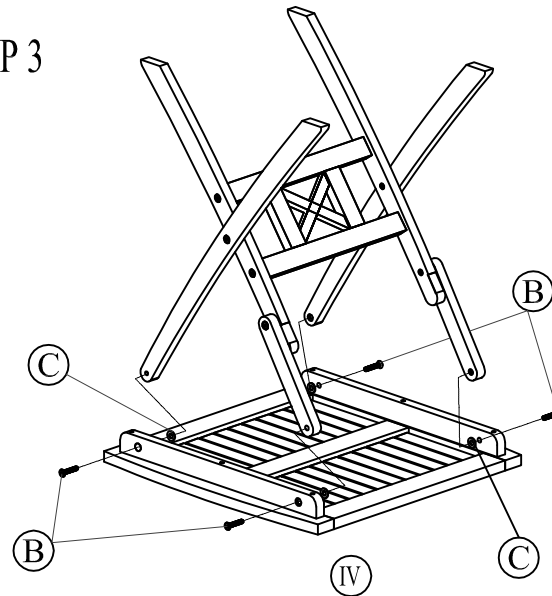
STEP 1



STEP 2



STEP 3



Item	Name	Q.ty	Describe
A	F - Screw 7x60	4	
B	Bolt 8x40	6	
C	Plastic washer	6	
D	Allen Key	2	