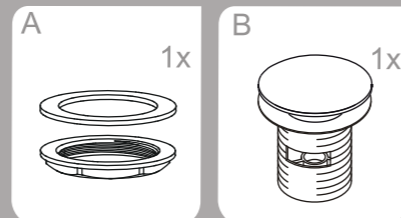
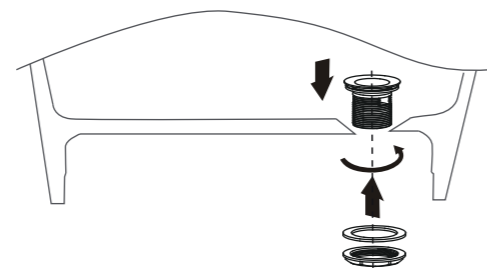


Cm	A	B	C	D
150X75X58	150	75	75	41

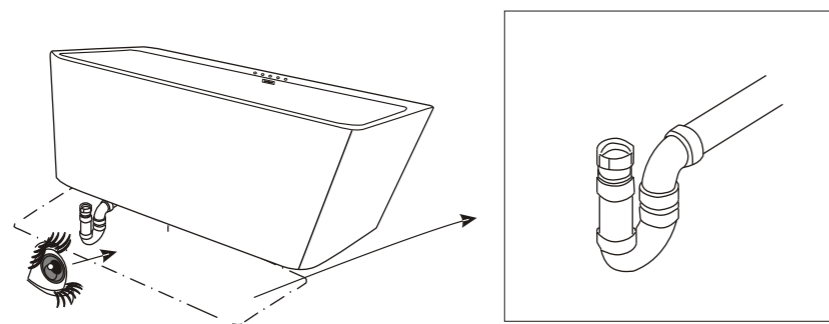
Used drain meets the requirement of ASME A112.18.2/CSA B125.2 *Always follow the appropriate plumbing code



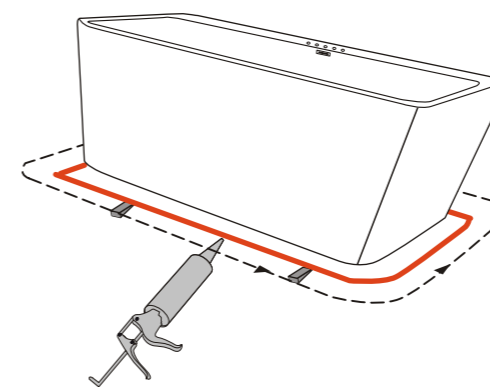
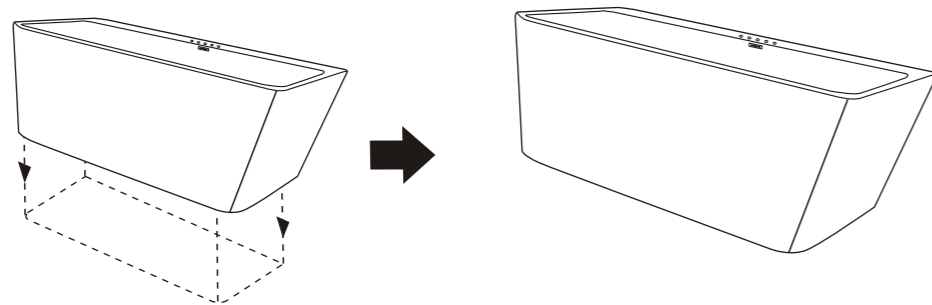
1



2



3



Installation

Before fitting:remove packaging and inspect the bath.We strongly recommend to use a professional and qualified plumber and installer. Instructions must be adhered to as we cannot accept responsibility for incorrect installation or damage during the process.

Please Note : Since manufacturing of acrylic surface baths takes a great deal of manual labor especially in finishing, small irregularities in the surface are inevitable and inherent to the chosen product/material. Shrinkage lines, air holes and casting marks and blemishes on the underside of the bath (where they cannot be seen when the bath is turned upright) do not adversely affect performance and should not be regarded as defects.

Everyday cleaning

It is advised to clean an acrylic surface bath regularly, to remove any insoluble products. Warm soapy water should be used and then the bath should be wiped. Do not let cleaners soak in.

The acrylic surface bath has good resistance properties to acids, but should not come into contact with alkalis or organic solvents, such as caustic soda, some multi-surface cleaners, bathroom cleaners, bleaches, harsh solvents, burning cigarettes, strong chemicals such as dry-cleaning fluids, paint strippers, acetone, citrus based chemicals, and nail/varnish removers.

It is advised to always run some cold water before turning on the hot tap. With hot water temperatures not exceeding 65 Celsius.

