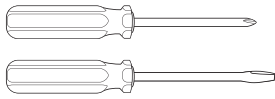
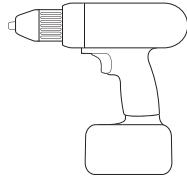


Tools you will need

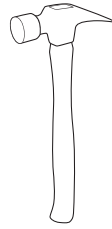
Tool Checklist.



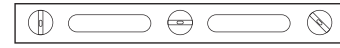
Phillips/Flathead
Screwdriver



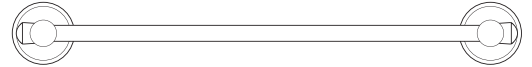
Power Drill



Hammer



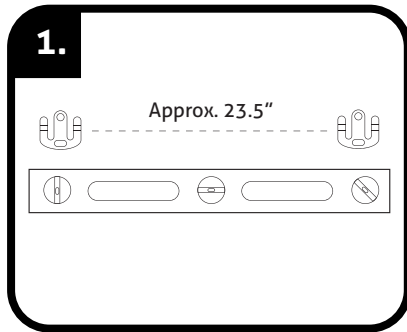
Level



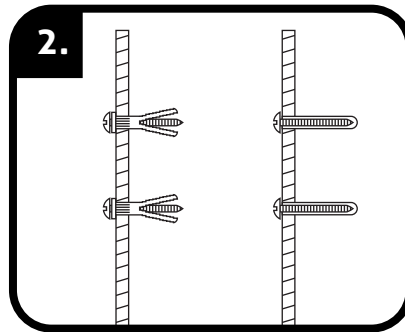
Accessory

Installation:

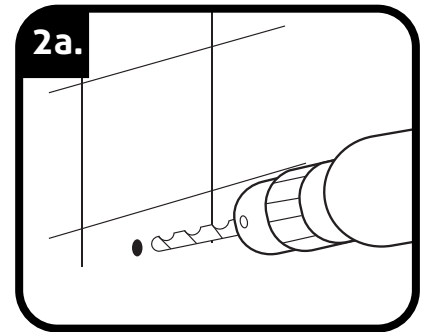
Follow these steps for installation.



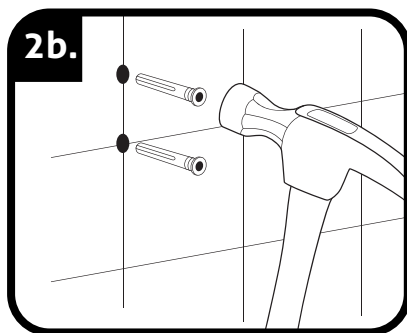
Using a level and measuring tape, measure the distance between mounting plates. Mark screw points with tip of screwdriver or pencil.



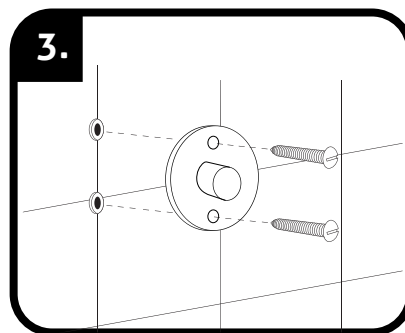
Prepare fastener holes for attaching the mounting plates using options below:
A. Attaching to stud in drywall.
B. Attaching to drywall.



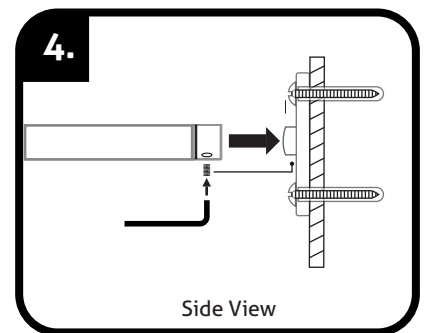
Attaching to stud in drywall:
Use drill bit smaller than the screws to pre-drill holes.



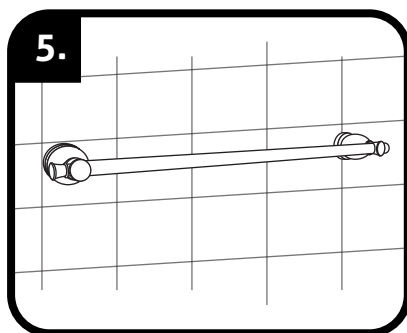
Attaching to drywall:
Use drill size appropriate for wall anchors. Tap each anchor in wall with hammer.



Attach each mounting plate to wall by installing screws into pre-drilled wall anchor holes. (Base plate may look different than shown here.)



Attach accessory to the mounting plate. Use provided hex key to tighten the hex head located on the underside of the accessory to secure the product.



The accessory is now securely in place.

Important: Please use the provided beige wall anchors for drywall-only installation. To use, follow the above-referenced steps, but concurrently screw in both screw and beige wall anchor into wall.

For installation on tile surface/wall, please seek professional assistance at your local hardware store or consult a licensed contractor. Please note tile installation requires a tile drill bit.