

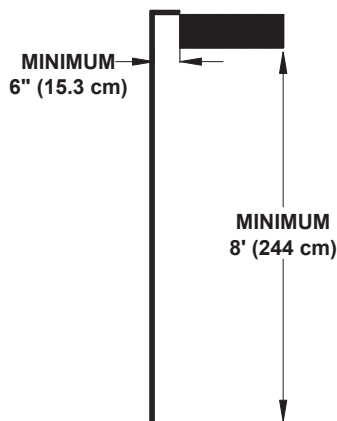
⚠ IMPORTANT INSTRUCTIONS

When using electrical appliances, basic precautions should always be followed to reduce the risk of fire, electric shock and injury to person, including the following:

1. Read all instructions before using this heater.
2. The heater is hot when in use. To avoid burns, do not let bare skin touch hot surfaces. Keep combustible materials, such as furniture, pillows, bedding, papers, clothes, and curtains at least a 3 ft. (1 m) from the front of the heater and keep them away from the sides.
3. Wiring procedures and connections should be in accordance with the National Electric Code (NEC & CEC) and local codes.
4. Extreme caution is necessary when any heater is used by or near children or invalids and whenever the unit is left operating and unattended.
5. Do not operate any heater after it malfunctions. Disconnect power at service panel and have heater inspected by a certified electrician before reusing.
6. To disconnect heater, turn off power to heater circuit at main disconnect panel.
7. Do not use outdoors.
8. Use this heater only as described in this manual. Any other use not recommended by the manufacturer may cause fire, electric shock, or injury to persons.
9. A heater has hot and arcing or sparking parts inside. Do not use it in areas where gasoline, paint or flammable liquids are used or stored.
10. This heater is hot when in use. To avoid burns, do not let bare skin touch hot surfaces. Keep combustible materials such as: furniture, pillows, bedding, papers, clothes and curtains away from heater.
11. Do not insert or allow foreign objects to enter any ventilation or exhaust opening as this may cause an electric shock or fire, or damage the heater.
12. To prevent a possible fire, do not block air intake or exhaust in any manner.

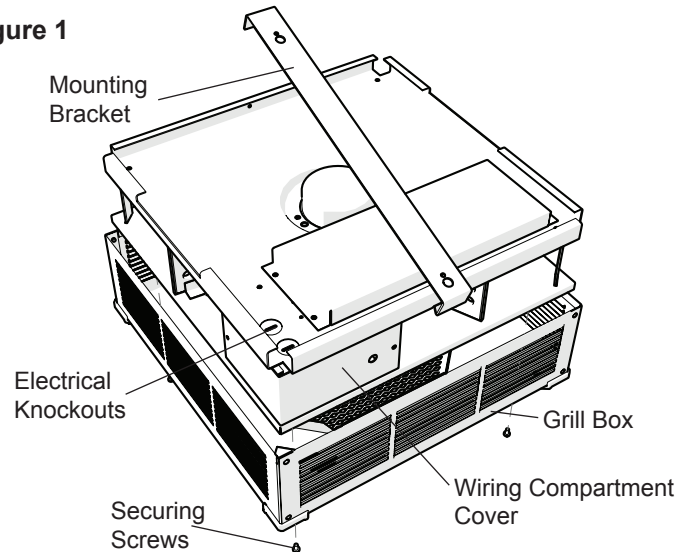
SAVE THESE INSTRUCTIONS

Figure 2



✂ Installation Instructions

Figure 1



⚠ WARNING: Wiring procedures and connections should be in accordance with the National Electric code (NEC) and local codes.

⚠ WARNING: To reduce the risk of fire, do not store or use gasoline or other flammable vapors and liquids in the vicinity of the heater.

⚠ CAUTION: The heater should be mounted for DOWNWARD discharge only.

⚠ CAUTION: High temperature, risk of fire, keep electrical cords, drapery, furnishings, and other combustibles at least 3 feet (0.9m) from the front of the heater and away from the side and rear.

1. Unpack the heater from the carton.
2. With the unit outlet pointing up, using the provided allen key, remove the 4 screws to remove the grill box off of the unit.
3. Flip the unit over and loosen 1 screw to remove the mounting bracket.
4. Determine the desired location, keeping in mind the *minimum* clearances indicated in Figure 2.
5. Secure the mounting bracket to the ceiling.

⚠ CAUTION: The ceiling and mounting hardware must have adequate strength to support the heater. Attachment to a firm support is a necessity.

6. Loosen 2 screws to remove the wiring compartment cover. (Figure 1)
7. Remove the desired knockout from the terminal box.

! NOTE: It is only necessary to remove the knockout(s) that will feed the power supply wiring, keeping in mind the heater mounting location and supply wire location.

8. Hang the heater from the hooked edge of the mounting bracket.
9. Connect power supply the wires to the wires in the unit - black (L1) and white (L2). Ground wire should be secured to the green wire provided inside of the heater.

⚠ WARNING: All wiring must be installed by a certified electrician according to the electrical safety. The ceiling heater must be grounded in accordance with all national and local building codes.

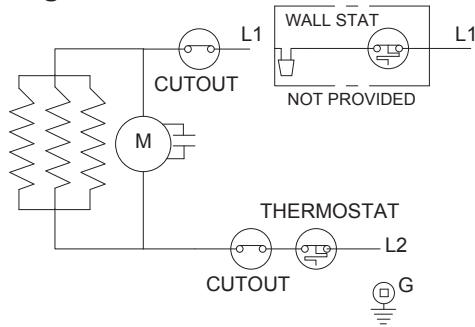
10. Replace the wiring compartment cover and replace with the 2 screws.

11. Swing the heater upwards to secure the opposite side of the heater to the bracket and secure with previously removed screws.

12. Replace the grill box.

⚠ WARNING: TO PREVENT THE RISK OF FIRE OR INJURY, DO NOT OPERATE THE HEATER UNLESS IT IS FULLY ASSEMBLED.

Wiring Diagram



Maintenance Instructions

⚠ WARNING: Always disconnect power at the circuit breaker to the unit prior to performing any maintenance or service operation.

⚠ CAUTION: Allow adequate time for the element and body casing to cool before attempting to work on the heater.

It is suggested that the heater be inspected regularly, for cleanliness of the fan intake and exhaust grilles, to ensure optimal performance is maintained. The grilles can be cleaned either by vacuuming off all dust and dirt or, washing the grille box in warm, soapy water and allowing to dry thoroughly before reinstalling. Once cleaning is complete replace the grille and restore power.

⚠ WARNING: TO PREVENT THE RISK OF FIRE OR INJURY, DO NOT OPERATE THE HEATER UNLESS IT IS FULLY ASSEMBLED.

At least at yearly intervals the wire connection condition should be inspected to ensure full electrical continuity and optimal performance is maintained.

⚠ WARNING: The user can perform cleaning ONLY. All other servicing should be performed by qualified service personnel.

Operation Instructions

⚠ WARNING: This heater must be properly installed before it is used.

1. Prior to energization remove all construction dirt (plaster, sawdust, etc.) from interior and exterior of heater.
2. Adjust the thermostat with a thin flat head screwdriver. This unit is controllable from a line voltage wall thermostat or a low voltage thermostat through a relay, refer to the wiring diagram.

Dimplex ceiling heaters are designed and tested for safe and trouble-free operation. All Dimplex ceiling heaters are protected against overheating by a built-in thermal cutout. Free airflow throughout the heater is extremely important for the most efficient operation of the heater. Restricted airflow may cause the thermal overload protector to cycle the heater "ON and OFF". A cycling heater will not supply sufficient heat to the room.

⚠ CAUTION: Avoid direct contact of paper, fabric, or furniture with heater.

Warranty

The Manufacturer warrants the RCH series ceiling heaters and components of the enclosed product against any defect in material or workmanship for a period of one year from the date of purchase. In full satisfaction of any claims under this Warranty the Manufacturer will repair or replace without charge, in its factory or in the field as it alone may decide, any parts which in its opinion are defective.

The Manufacturer shall not be responsible for any transportation or shipping costs in relation to such repair or replacement except as specifically assumed by it. Misuse of this product or repairs by persons other than the Manufacturer's authorized personnel without the Manufacturer's written approval, will void this Warranty.

This Warranty is in lieu of all other warranties or conditions whether express or implied including but not limited to those of merchantability or fitness for purpose and shall constitute the sole remedy of the Purchaser and the sole liability of the Manufacturer in respect of the sale of the product, whether in the nature of breach or breach of fundamental term, or of negligence or otherwise.

The Manufacturer shall not be liable for any special, indirect or consequential damages or for any damages resulting from removal or replacement of a heater subject to warranty claim without the Manufacturer's authorization.

This Warranty is transferable by the original consumer purchaser of the product. Any claims under this Warranty must be submitted in writing to the Service Manager, Glen Dimplex Americas, 1367 Industrial Rd., Cambridge, Ontario N3H 4W3, Canada.

Replacement Parts

Cutout	RCH-CUTOUT-RP
Fan Blade	RCH-FAN-RP
Motor	RCH-MOTOR-RP
Housing Cover	RCH-COVER-RP
Thermostat	RCH-THERMOSTAT-RP

