

KFR4-33GWH

Fireclay 33 Inch Single Bowl
Farmhouse Kitchen Sink

Kräus[®]

SPECIFICATION SHEET

Sink Dimensions

Overall Dimensions: 33" x 18 1/8" x 10"

Bowl Dimensions: 32 1/4" x 15 7/8"

Sink Depth: 9"

Features

- Fireclay Construction
- Apron Front Farmhouse Single Bowl Sink
- Reversible Apron
- Required Minimum Cabinet Size: 33" Left to Right, 24" Front to Back
- 3 1/2" Drain Opening
- Center Offset Drain

Accessories Included

- Strainer: ST-4
- Cutting Board: KCB-WS302SA

Optional Accessories Sold Separately

- Strainers: PST1, BST-2, ST-2
- Bottom Grid: KBG-FC3216
- Dish Rack: KDR-1
- Colander: CS-6
- Kitchen Rolling Mat: KRM-11

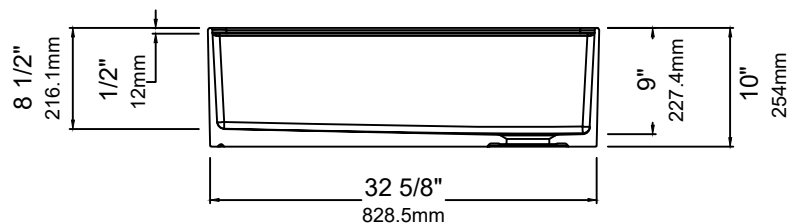
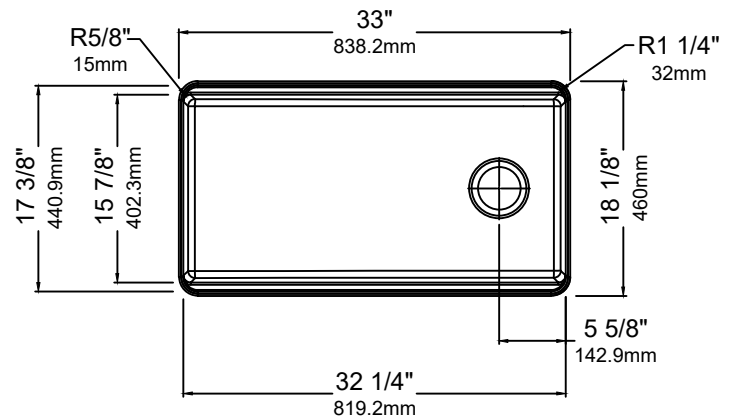
Available Colors

- Glossy White

CODES/STANDARDS:

Product Certification

cUPC



NOTE: Due to the typical ± 3 mm side wall variance in manufacturing, it is recommended that you design / modify the sink cabinet to match your clients individual sink(s) need.

Warranty

Kraus Limited 5 Year Warranty

see website for details www.kraususa.com

Kraus USA Customer Service

1.800.775.0703 | customerservice@kraususa.com

REV. October 6, 2020