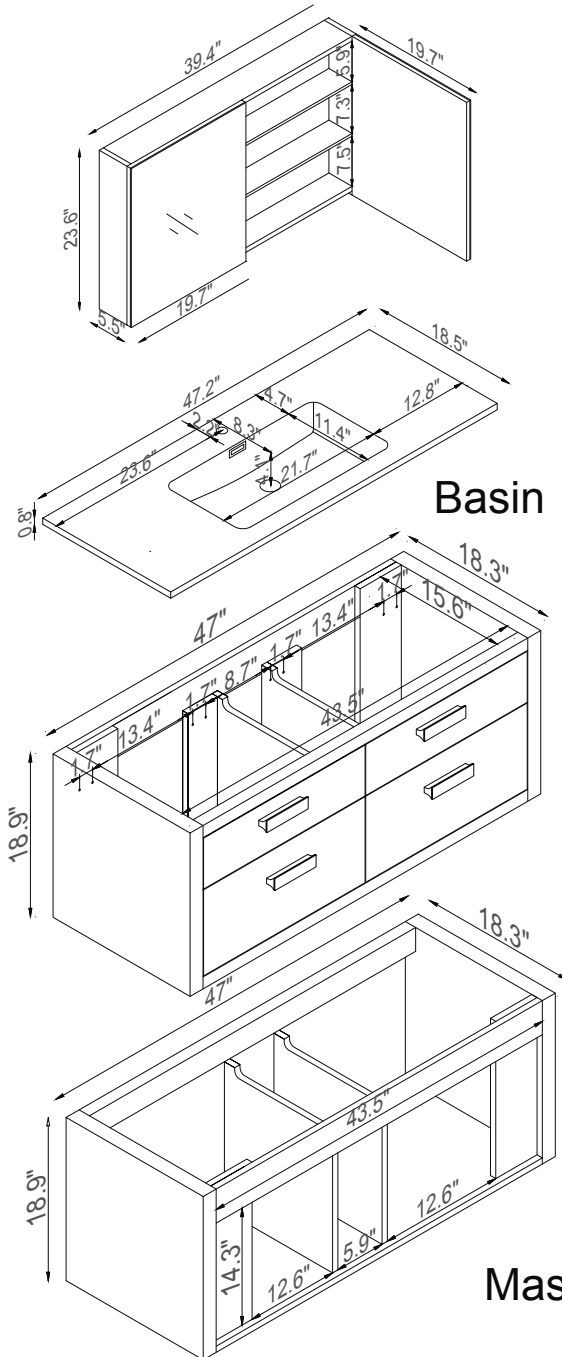




Streamline



Master Cabinet

K1820-161-48-55MR