




Freestanding Vanity

INSTALLATION INSTRUCTIONS



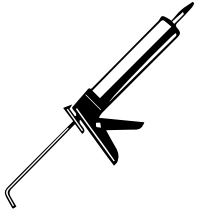
 READ ENTIRE INSTALLATION GUIDE
PRIOR TO INSTALLING THE VANITY
THIS VANITY SHOULD ONLY BE
INSTALLED BY A CERTIFIED PLUMBER

CAUTION!  TWO PEOPLE ARE REQUIRED
TO LIFT THE VANITY

QUESTIONS ON PRODUCT, INSTALLATION, RETURNS? PLEASE CONTACT

streamlinebath.com support@streamlinebath.com 1 (310) 935-0028

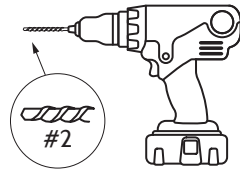
TOOLS REQUIRED



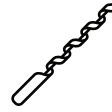
Silicone



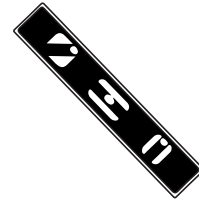
Pencil



Drill



1/8 Drill bit

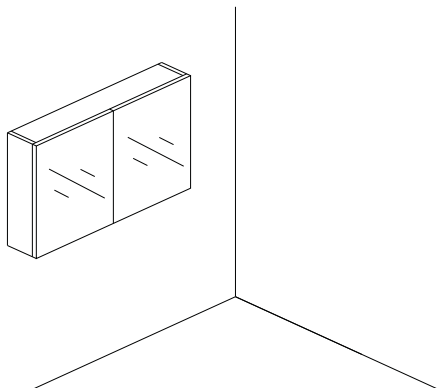
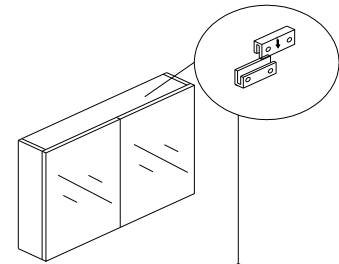
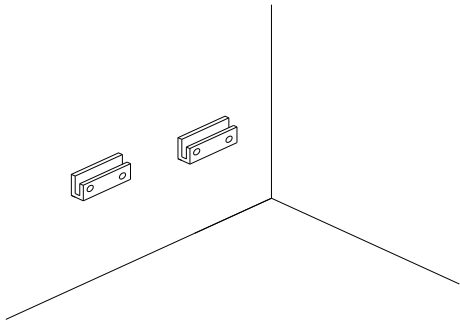
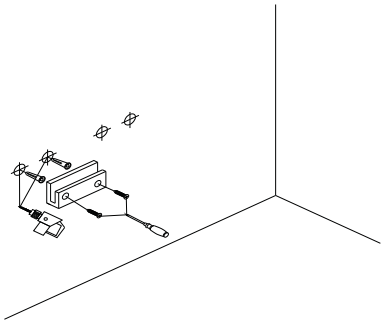


Level Bar

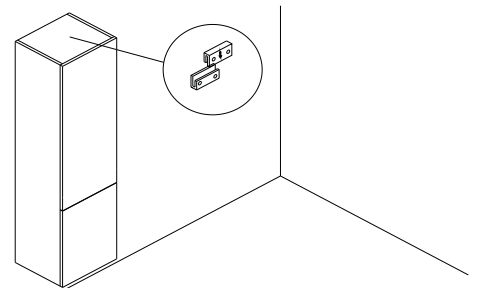
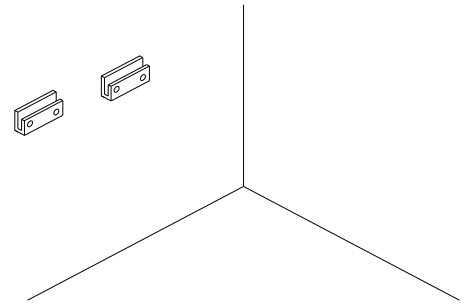
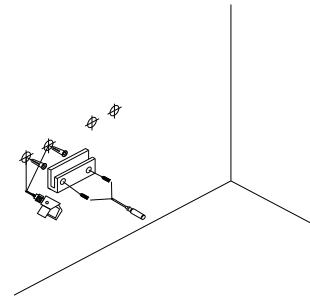


Measuring Tape

MIRROR INSTALLATION



SIDE CABINET INSTALLATION



REMOVAL & INSTALLATION OF DRAWERS

Below are the three possible drawer configurations that our vanities have. Please follow the instructions for drawer removal and installation based on the applicable model.

DRAWER TYPE 1

REMOVAL

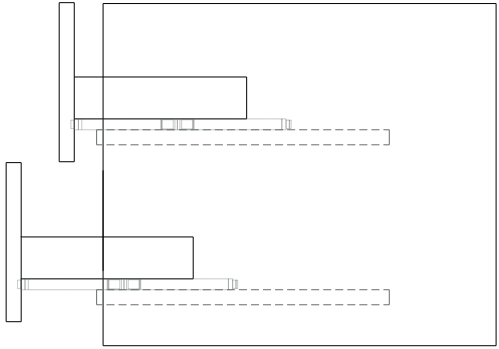
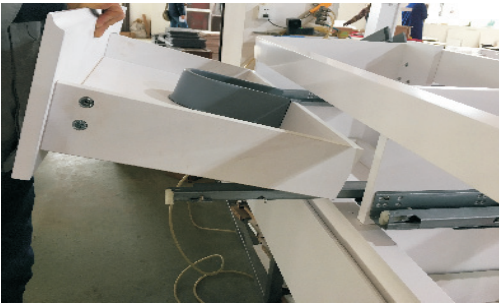
Unscrew both bolts

STEP 1



Lift the drawer and pull it out

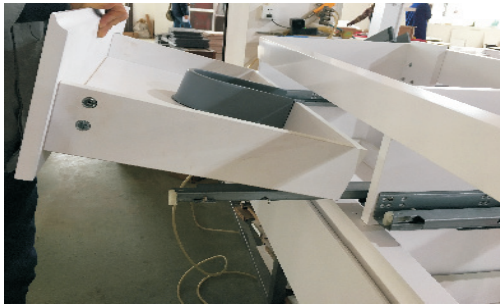
STEP 2



INSTALLATION

Place drawer on the rail glide

STEP 1



Push the drawer in and hook it

STEP 2



Push the drawer down and lock it via a button

STEP 3



Screw both bolts to secure the drawer

STEP 4



DRAWER TYPE 2

REMOVAL

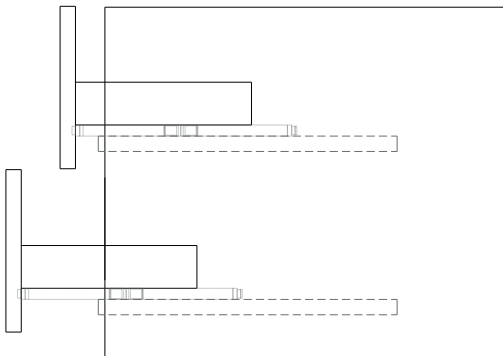
Press the button under the drawer glide

STEP 1



Lift the drawer and pull it out

STEP 2



INSTALLATION

Place drawer on the rail glide

STEP 1



Push the drawer in and hook it

DRAWER TYPE 3

UPPER DRAWER

Refer to DRAWER TYPE 1

BOTTOM DRAWER

Refer to DRAWER TYPE 2

TOP/SINK INSTALLATION

INTERGRATED TOP/SINK INSTALLATION

