



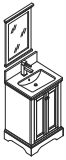
# WINDSOR

## INSTALLATION GUIDE

### FVN2424

## CONTENTS:

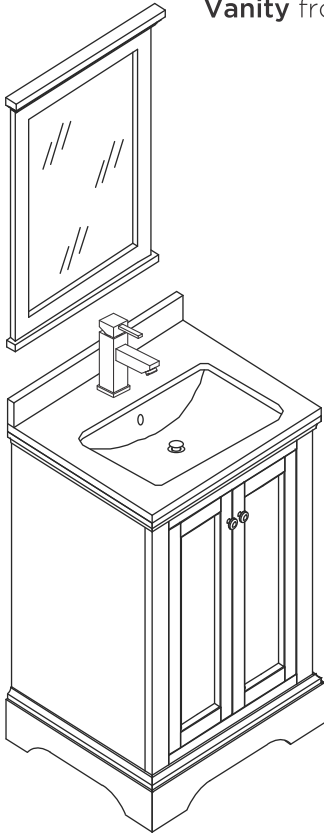
Mirror.....	FMR2424.....	PAGE 2
Cabinet.....	FCB2424.....	PAGE 3
Sink.....	FCT2024WH-CMB.....	PAGE 3



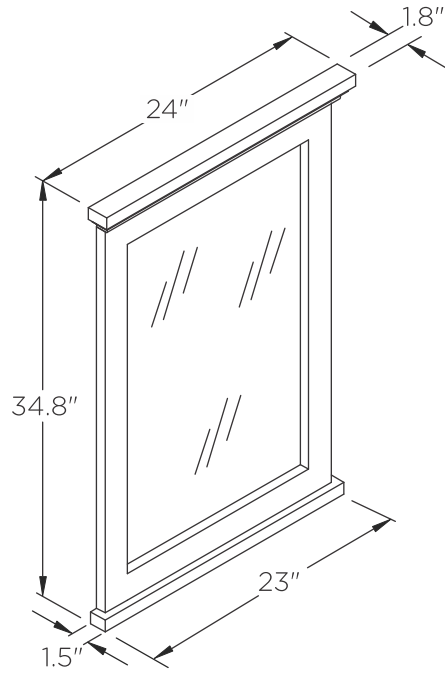
# FVN2424 WINDSOR INSTALLATION GUIDE



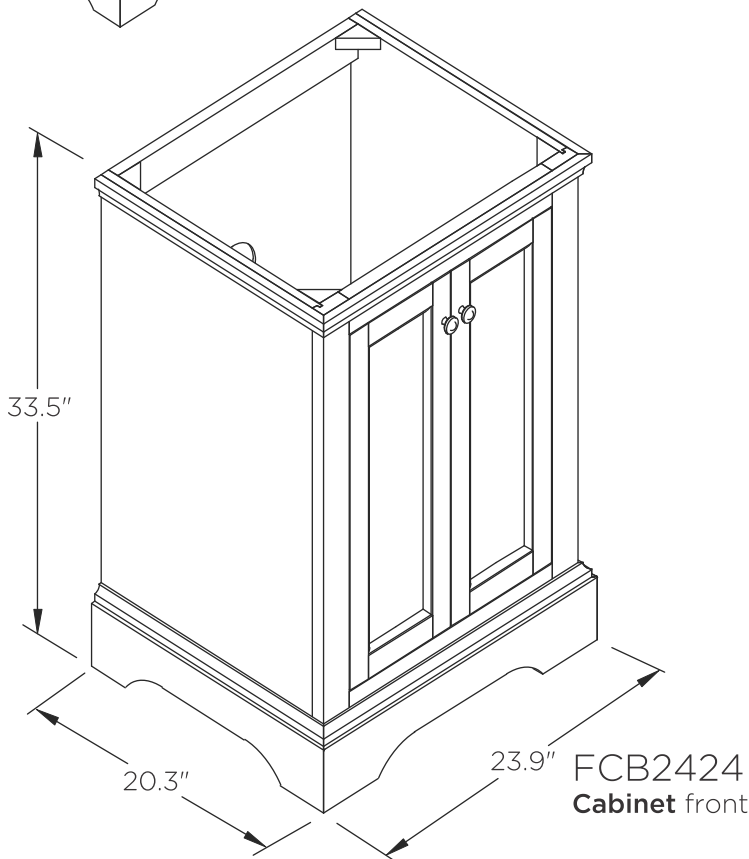
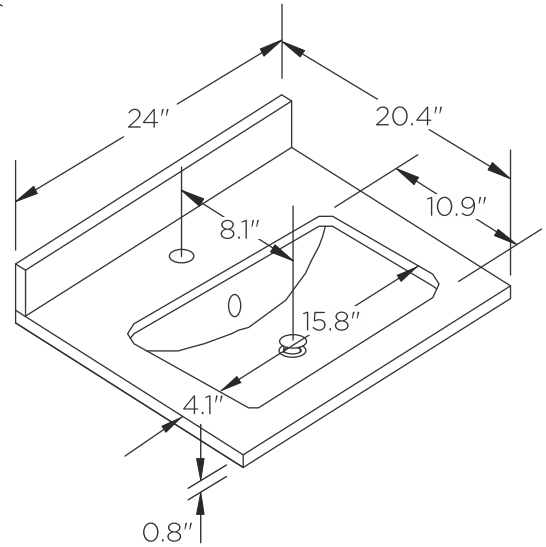
FVN2424  
Vanity front



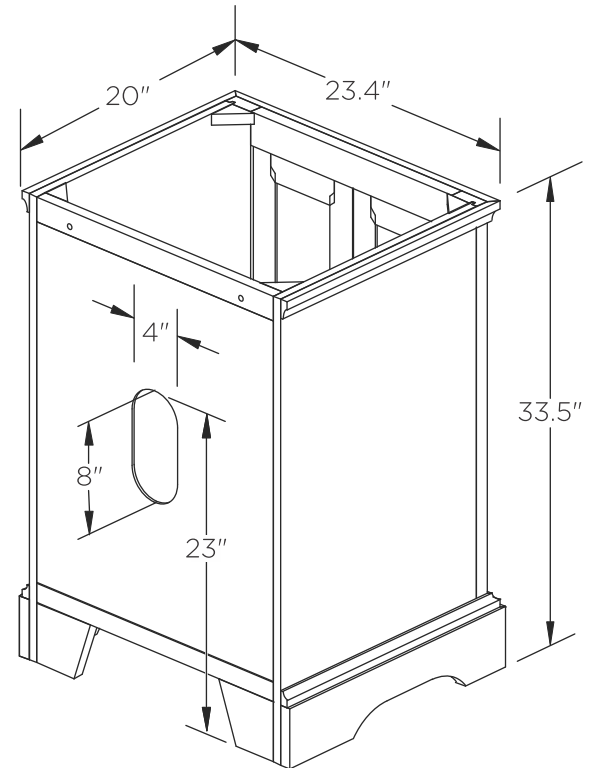
FMR2424  
Mirror front



FCT2424WH-CMB  
Counter Top front



FVN2424  
Vanity front



FCB2424  
Cabinet back

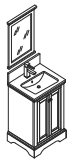
**NOTE:** All dimensions & specifications are approximate and subject to change without notice.



**FVN2424**

**WINDSOR**

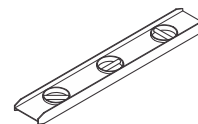
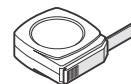
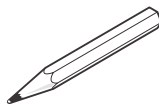
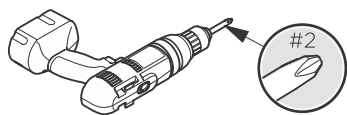
**INSTALLATION GUIDE**



# FVN2424 WINDSOR INSTALLATION GUIDE

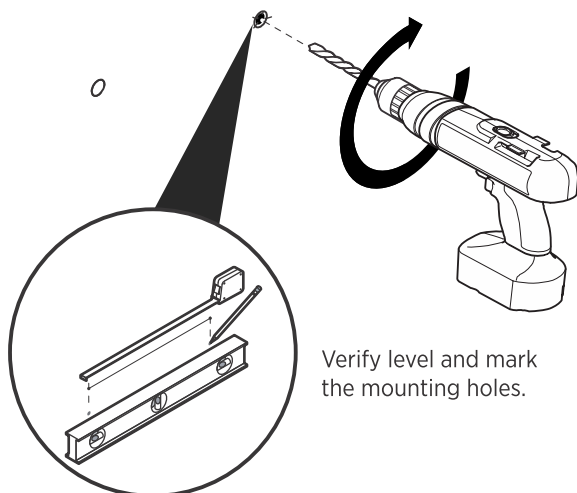


## TOOLS FOR ASSEMBLY



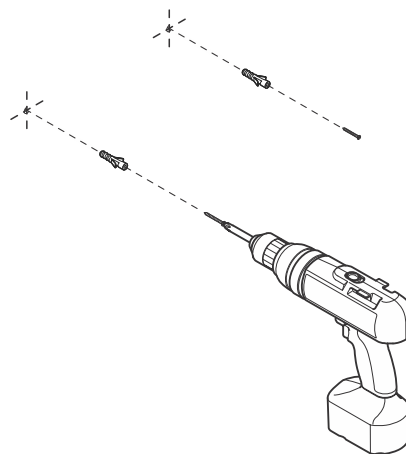
## MIRROR INSTALLATION

- 1** Measure distance between the holes and mark it on the wall using a level.



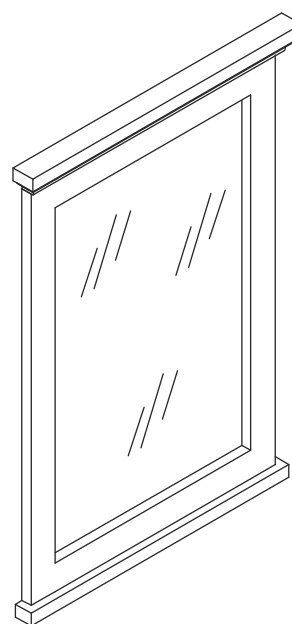
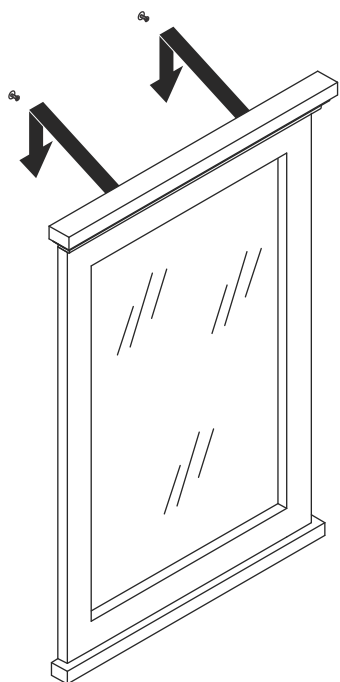
Verify level and mark the mounting holes.

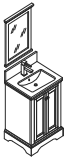
- 2** Press the anchors into the holes.



**IMPORTANT:** Consult an expert for the proper screws/bolts to use when attaching to various constructions. Screws provided do not attach to all wall construction types. Anchors are not required if brackets are installed in stud.

- 3** Hang mirror on the screws.



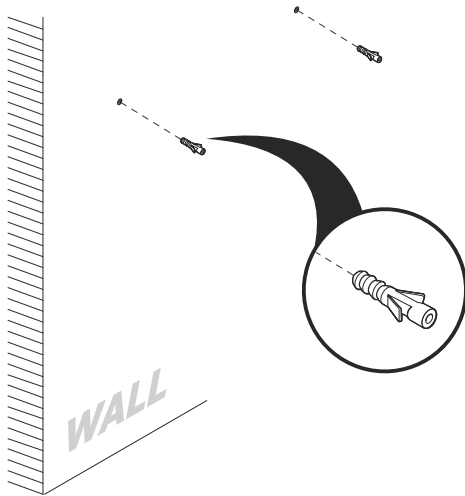


# FVN2424 WINDSOR INSTALLATION GUIDE



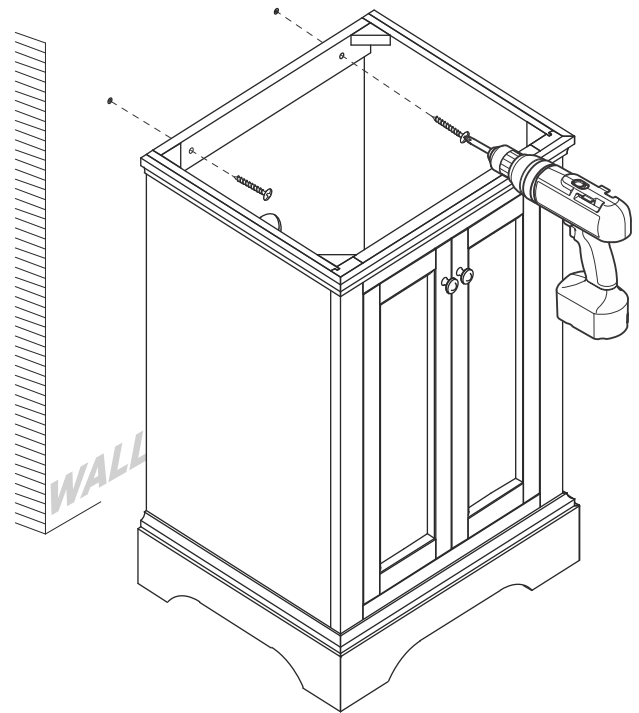
## CABINET INSTALLATION

- 1** Drill holes in the wall and insert the anchors.

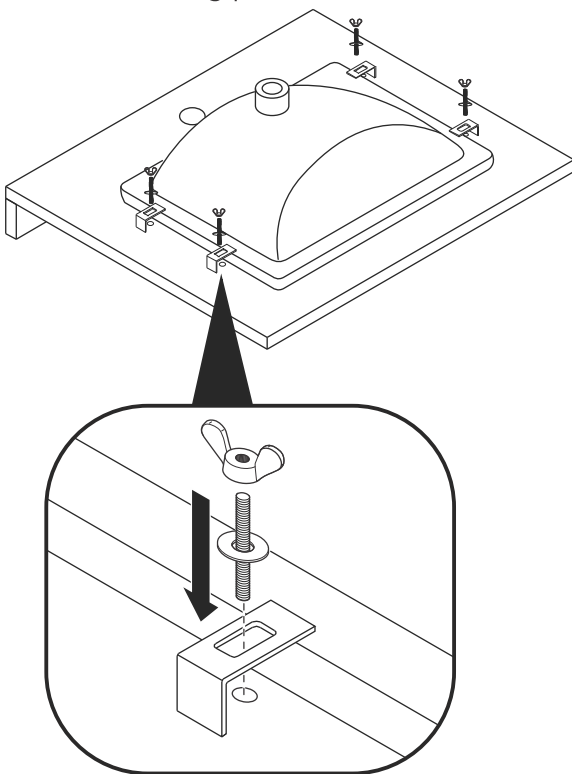


**IMPORTANT:** Consult an expert for the proper screws/bolts to use when attaching to various constructions. Screws provided do not attach to all wall construction types. Anchors are not required if brackets are installed in stud.

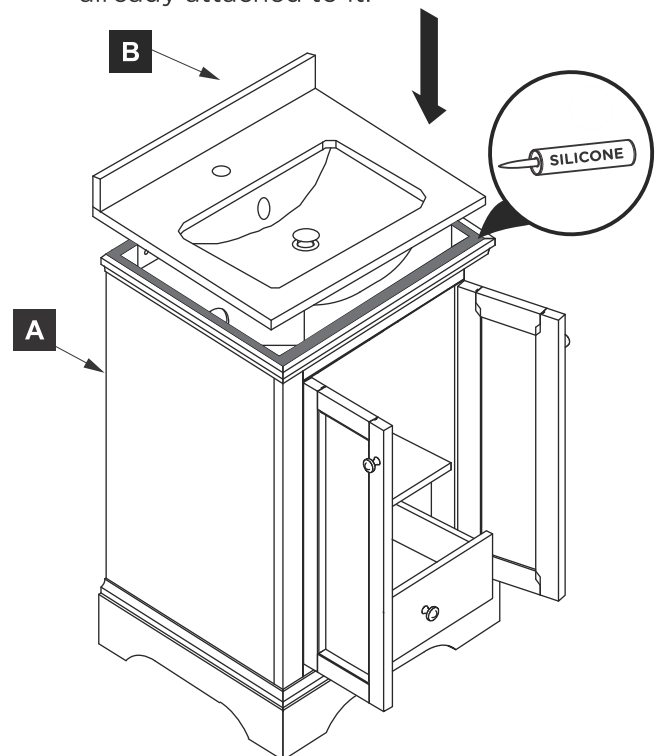
- 2** Mark anchor mounting hole locations on the wall as shown.



- 3** Flip counter top upside down and attach sink to it using provided brackets & screws.



- 4** Apply silicone to the top of the cabinet (A) and place counter top with sink (B) already attached to it.

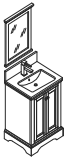


**FVN2424**

**WINDSOR**

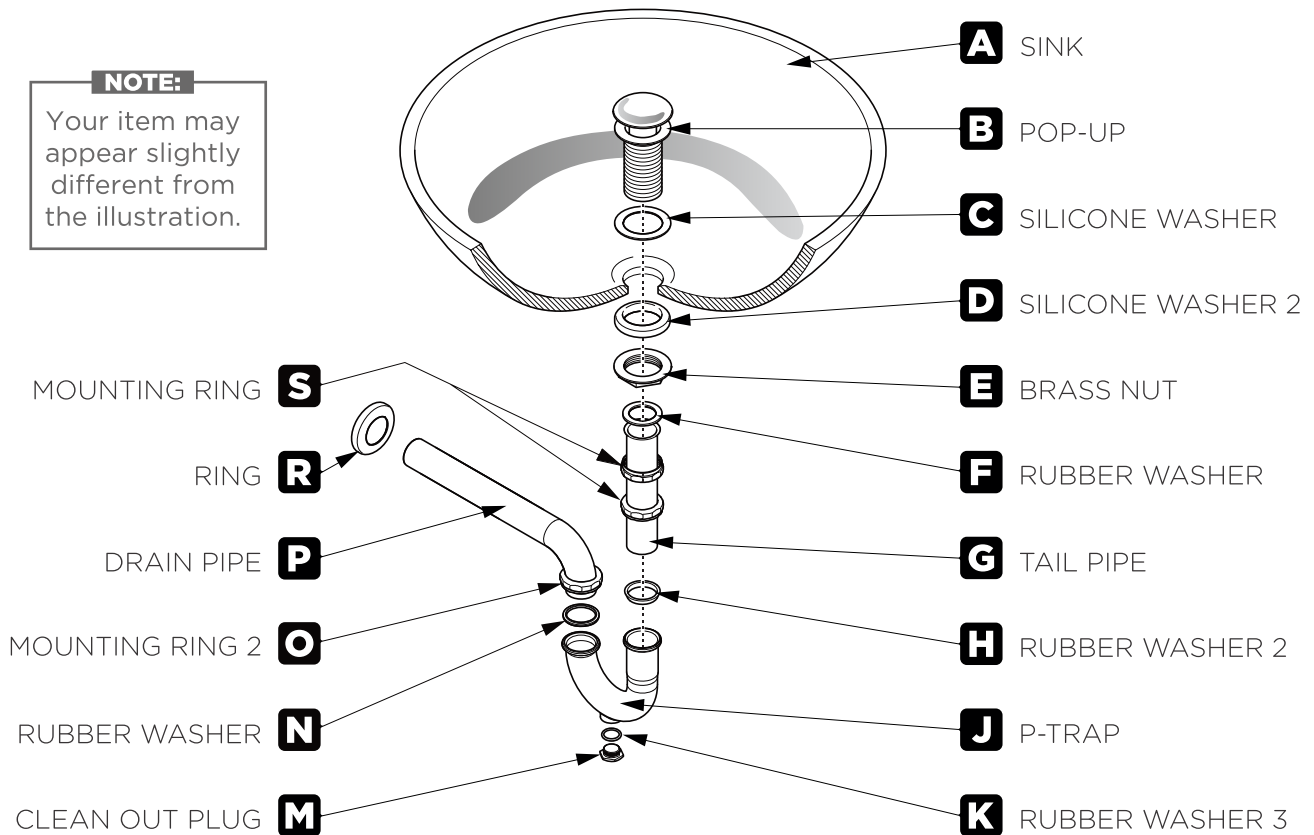
**INSTALLATION GUIDE**

PAGE 3



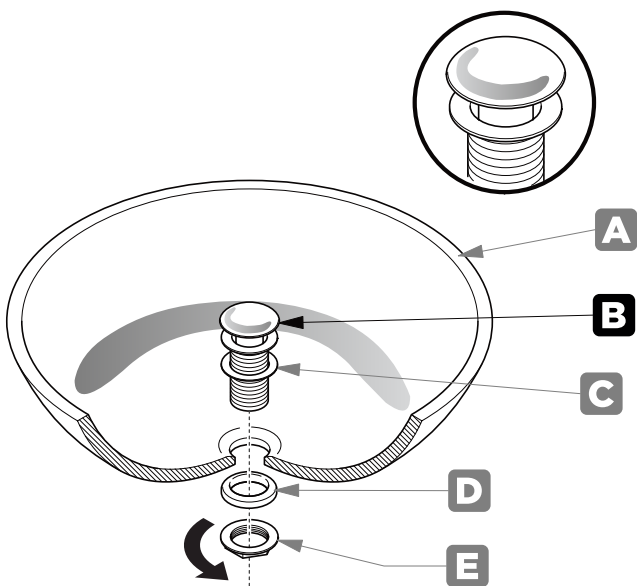
**P-TRAP & POP-UP INSTALLATION INSTRUCTIONS**

**NOTE:**  
Your item may appear slightly different from the illustration.



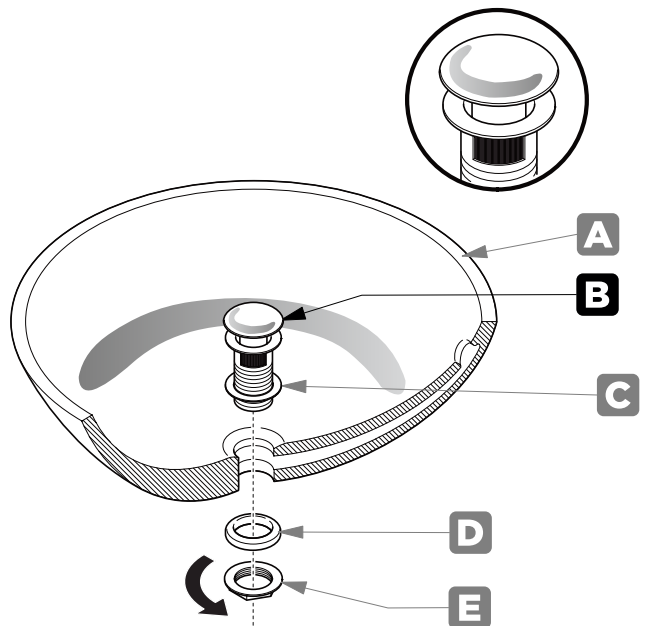
**POP-UP INSTALLATION INSTRUCTIONS**

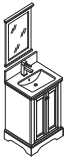
**FOR SINKS**  
WITHOUT OVERFLOW



**OR**

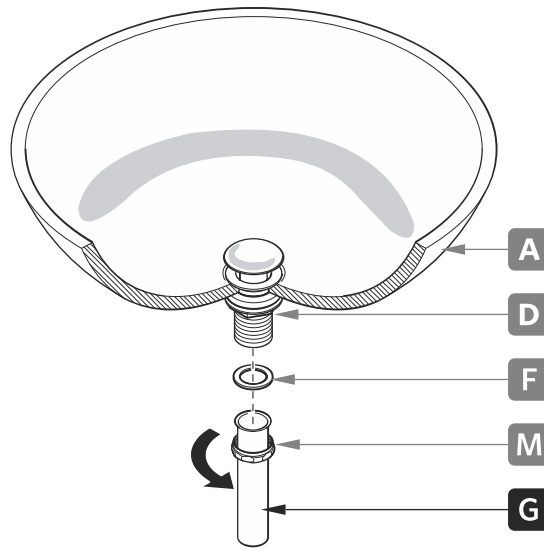
**FOR SINKS**  
WITH OVERFLOW





## P-TRAP INSTALLATION

**1** Install tail pipe (G)



**2** Install p-trap (J)

