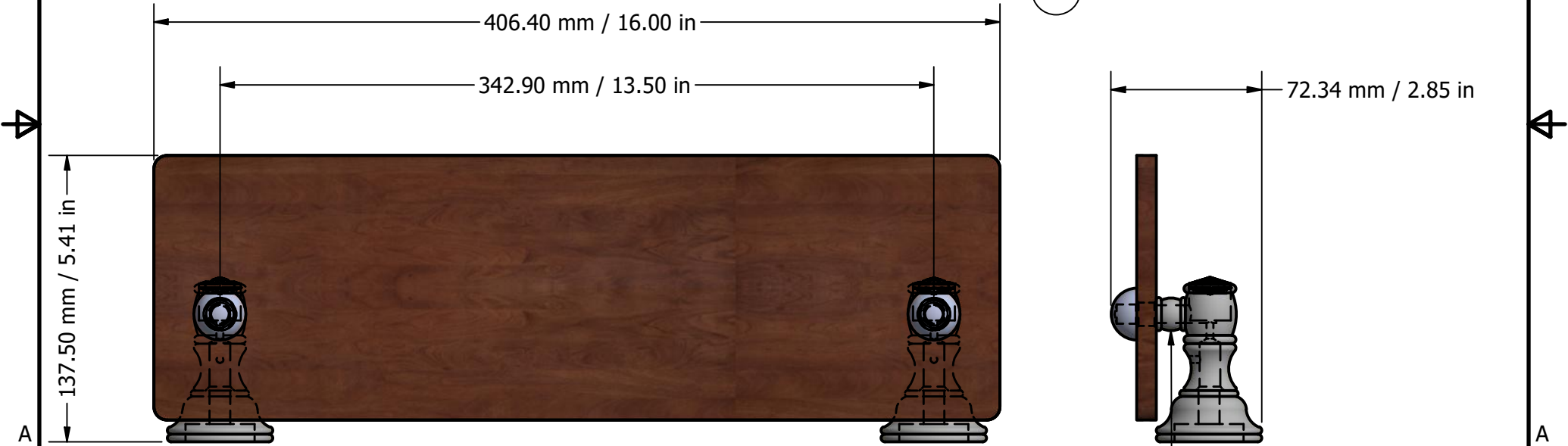
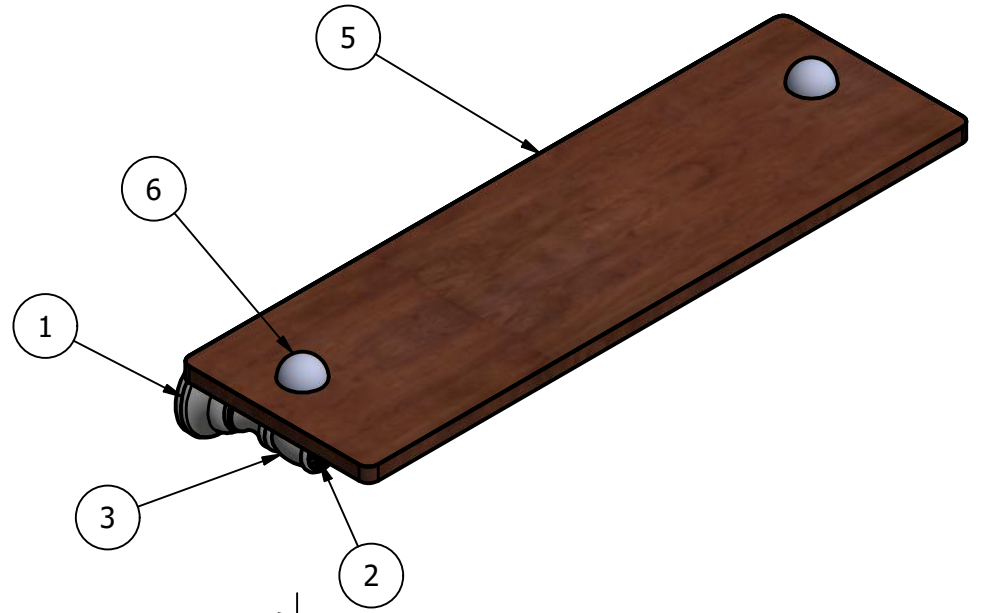



PARTS LIST			
ITEM	QTY	PART NUMBER	DESCRIPTION
1	2	TBBS-2	BACKPLATE
2	2	CRYSTCAP-20	CRYSTAL CAP
3	2	TSPS-2	CAP
4	2	PSRD-58	HUB
5	1	IRWRT-16	16" IPE SHELF
6	2	CAHR-1	CAP



UNLESS OTHERWISE SPECIFIED	
.X	± .3mm
.XX	± .15mm
.XXX	± .008mm

UNIT IS IN MM.

DRAWN	10-30-19	IM	CHECKED	10-30-19	P.D.	APPROVED	10-30-19	R.A.
COPYRIGHT @ALLIEDBRASS 2019			THIRD ANGLE PROJECTION					

MATERIAL:	BRASS		FINISH	TBD
DESCRIPTION:	Carolina Crystal Collection 16 Inch Wood Shelf		QTY	TBD
		DRAWING NO.		REV
		CC-1-16-IRW		0
SCALE		1.5:1	SHEET: 1 OF 1	A4

**APPROVED FOR PRODUCTION**  
 By: RICHARD PAUL  
 Date: 10-30-19