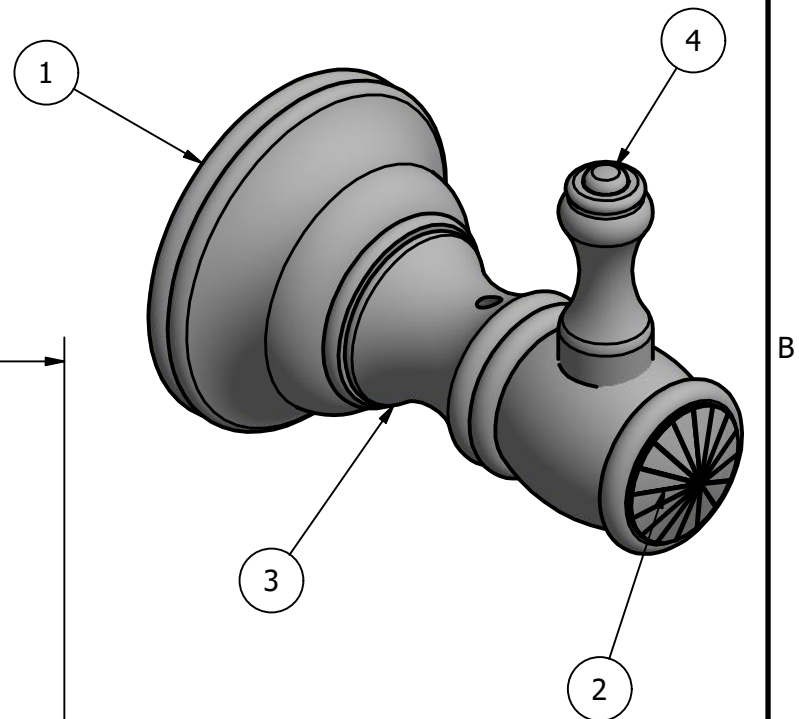
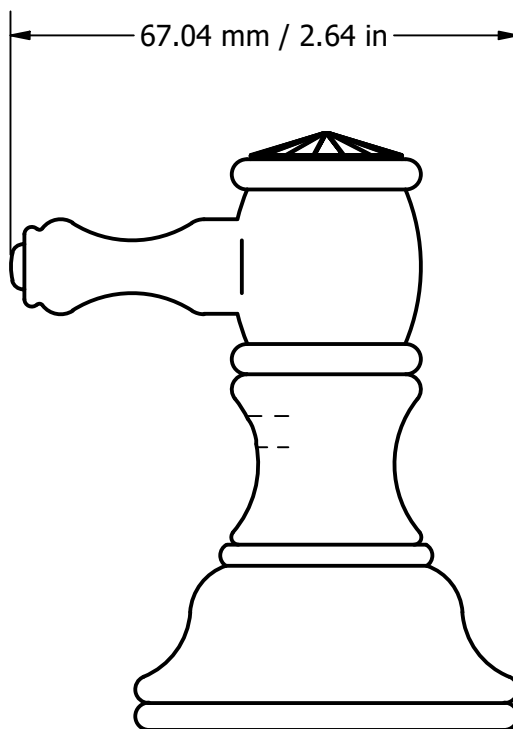
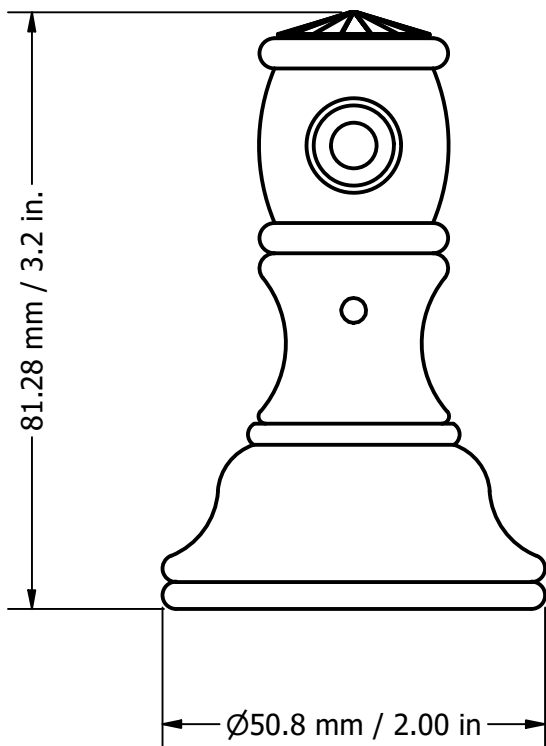


APPROVED FOR PRODUCTION

By: RICHARD PAUL
Date: 01-07-2020



PARTS LIST			
ITEM	QTY	PART NUMBER	DESCRIPTION
1	1	TBBS-2	BACKPLATE
2	1	CRYSTCAP-20	CRYSTAL CAP
3	1	TSPS-2	HUB
4	1	PGBD-1.25	PEG

UNLESS OTHERWISE SPECIFIED	
.X	± .3mm
.XX	± .15mm
.XXX	± .008mm

UNIT IS IN MM.

DRAWN	1-7-2020	IM	MATERIAL:	BRASS	FINISH	TBD
CHECKED	1-7-2020	P.D.	DESCRIPTION:		QTY	TBD
APPROVED	1-7-2020	R.A.	Carolina Crystal Hook		DRAWING NO.	REV
THIRD ANGLE PROJECTION					CC-20	0
			ALLIED BRASS INC		SCALE	1.5:1 SHEET: 1 OF 1 A4



DRAWING NO.	REV
CC-20	0
SCALE	1.5:1 SHEET: 1 OF 1 A4