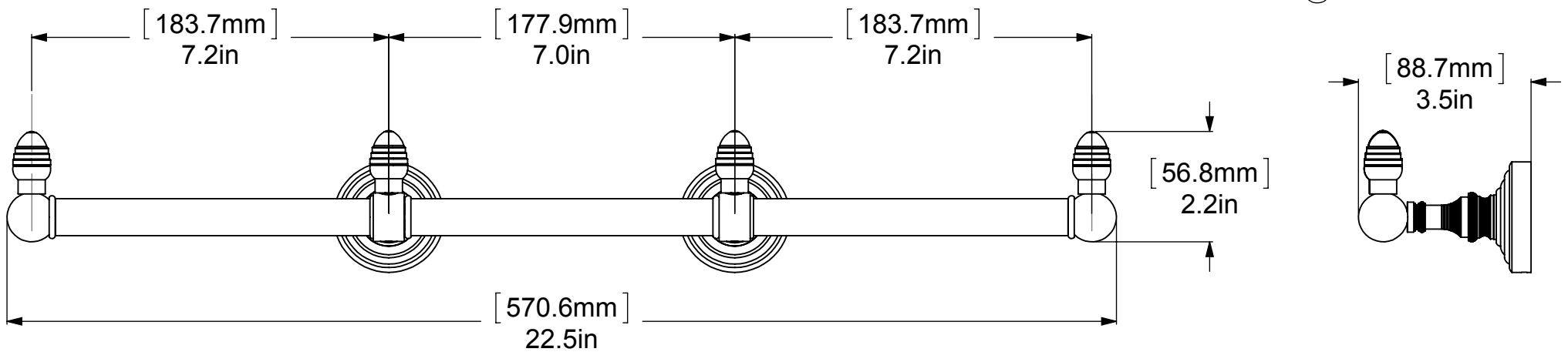
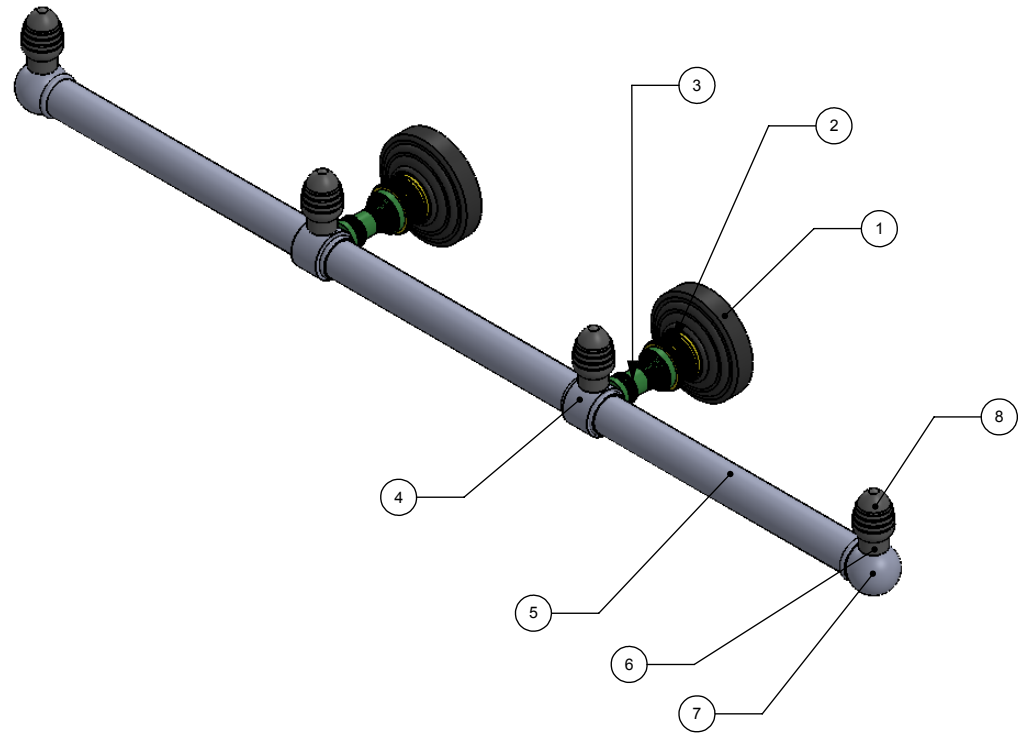


| ITEM NO. | P/N | Description | QTY. |
|----------|-----------|-------------|------|
| 1 | BPWV | BACKPLATE | 2 |
| 2 | NKSL-58 | Neck | 2 |
| 3 | NKSL-1.25 | SUPPORT | 2 |
| 4 | HB2T-1 | HUB | 2 |
| 5 | TU34-6.5 | TUBE | 3 |
| 6 | CRRD-34 | RING | 6 |
| 7 | BL2T-1 | END BALL | 2 |
| 8 | KBGT-1 | TOP | 4 |



| | |
|-------------------------|---------|
| UNLESS OTHERWISE STATED | |
| .X | ±.3mm |
| .XX | ±.15mm |
| .XXX | ±.008mm |

COPYRIGHT © Allied Brass 2016

THIRD ANGLE PROJECTION

| | | | | | | | |
|----------|----------|-----|--------------|-------|-------------|--------|-----------|
| DRAWN | 5/3/2016 | I.M | MATERIAL: | BRASS | | FINISH | TBD |
| CHECKED | 5/3/2016 | P.D | DESCRIPTION: | | QUANTITY | TBD | |
| APPROVED | 5/3/2016 | R.A | TOWEL HOLDER | | DRAWING No. | REV | |
| | | | | | BPWV-HTB -3 | | 0 |
| | | | | | SCALE | 1:3 | SHEET: 01 |
| | | | | | | | A4 |