

| PARTS LIST |     |             |                |
|------------|-----|-------------|----------------|
| ITEM       | QTY | PART NUMBER | DESCRIPTION    |
| 1          | 4   | TBBS-2      | BACKPLATE      |
| 2          | 1   | MRAT-94     | ARC TOP MIRROR |
| 3          | 4   | TSPS-2      | HUB            |
| 4          | 6   | CL-CAP      | CAP            |
| 5          | 2   | MR-TILT-FIT | HUB            |
| 6          | 8   | CRRD-34     | CHECK RING     |
| 7          | 2   | KBBD-1      | HUB            |
| 8          | 4   | TU34-15     | TUBE           |

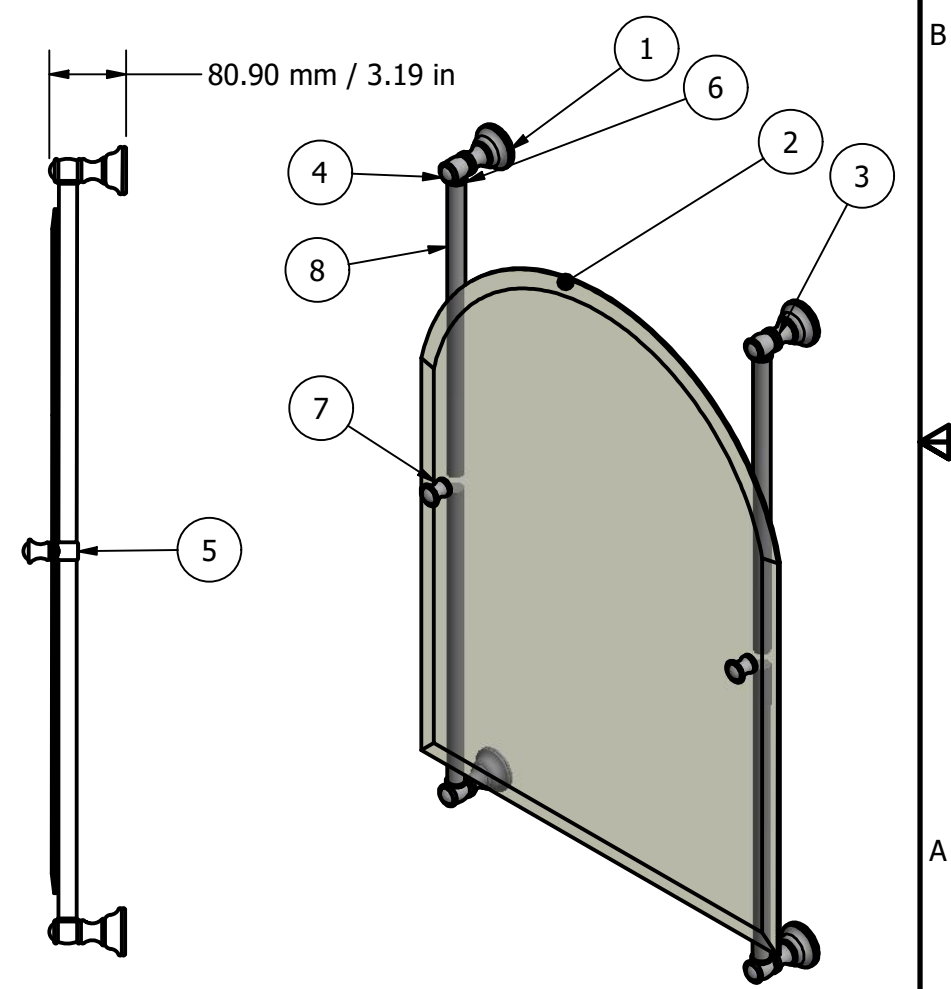
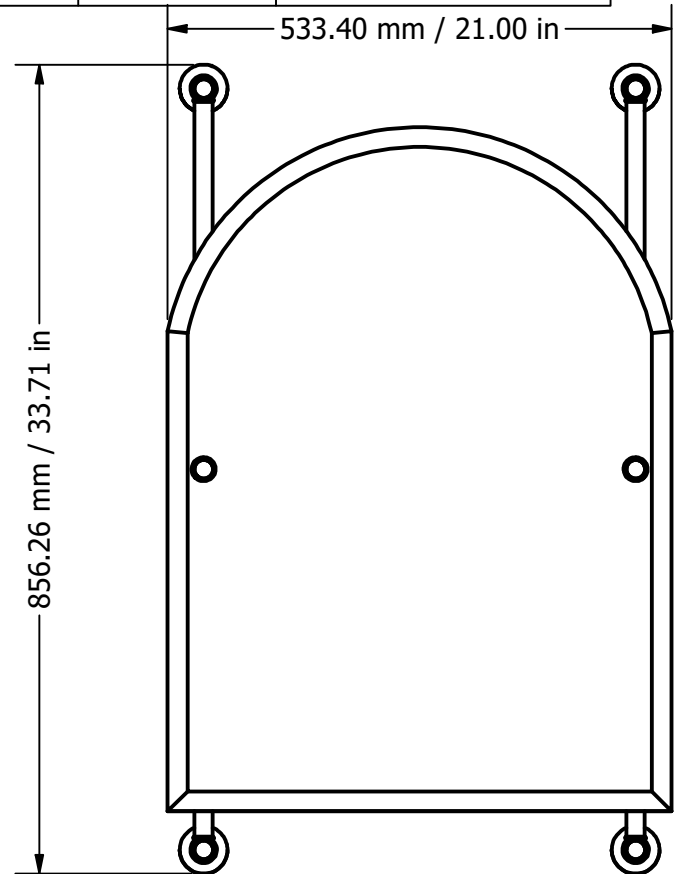
**APPROVED FOR PRODUCTION**

By: RICHARD PAUL  
Date: 10-24-19

B

A

A



B

A

A

| UNLESS OTHERWISE SPECIFIED |          |
|----------------------------|----------|
| .X                         | ± .3mm   |
| .XX                        | ± .15mm  |
| .XXX                       | ± .008mm |

COPYRIGHT @ALLIEDBRASS 2018

THIRD ANGLE PROJECTION

|          |          |      |                                      |       |               |       |
|----------|----------|------|--------------------------------------|-------|---------------|-------|
| DRAWN    | 10-24-19 | IM   | MATERIAL:                            | BRASS | FINISH        | TBD   |
| CHECKED  | 10-24-19 | P.D. | DESCRIPTION:                         |       | QTY           | TBD   |
| APPROVED | 10-24-19 | R.A. | Carolina Arc Top Rail Mounted Mirror |       | DRAWING NO.   |       |
|          |          |      |                                      |       | CL-27-94      |       |
|          |          |      |                                      |       | SCALE         | 1.5:1 |
|          |          |      |                                      |       | SHEET: 1 OF 1 | REV   |

2

1