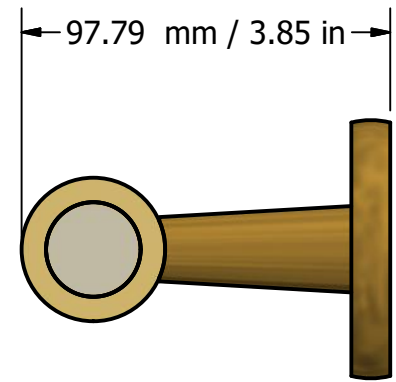
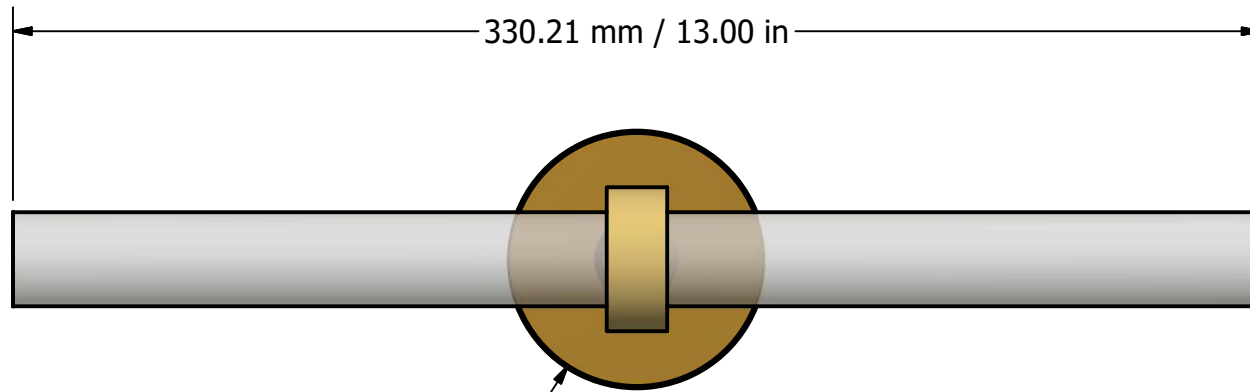
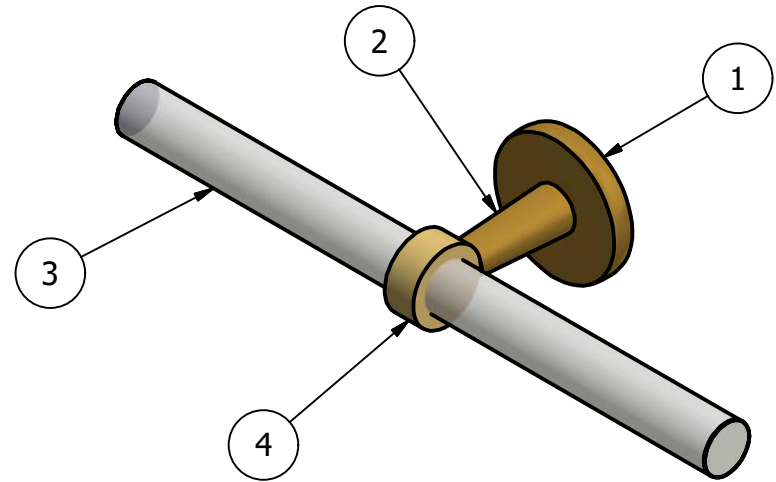


PARTS LIST			
ITEM	QTY	PART NUMBER	DESCRIPTION
1	1	BPRD	BACKPLATE
2	1	CL-TB	ACRYLIC POST
3	1	AC1-13	13' ACRYLIC BAR
4	1	RGSMT-1	RING WITH NEW SIZE HOLE



UNLESS OTHERWISE SPECIFIED	
.X	± .3mm
.XX	± .15mm
.XXX	± .008mm

UNIT IS IN MM.

DRAWN	10-15-18	IM	MATERIAL:	BRASS
CHECKED	10-15-18	P.D.	DESCRIPTION:	
APPROVED	10-15-18	R.A.		
THIRD ANGLE PROJECTION				

FINISH		TBD
QTY		TBD
DRAWING NO.		REV
CV-HTB-2		0
SCALE	1.5:1	SHEET: 1 OF 1

**APPROVED FOR PRODUCTION**  
 By: RICHARD PAUL  
 Date: 10-15-18

B

B

A

A

2

1