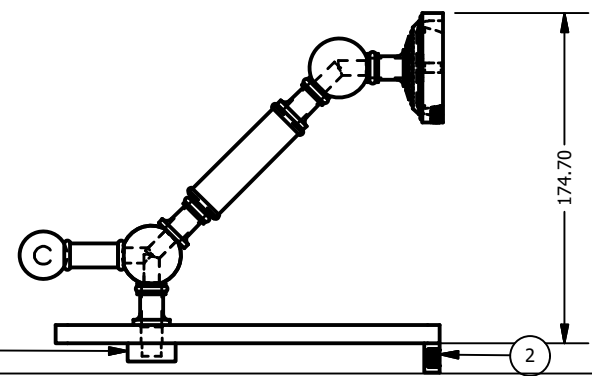
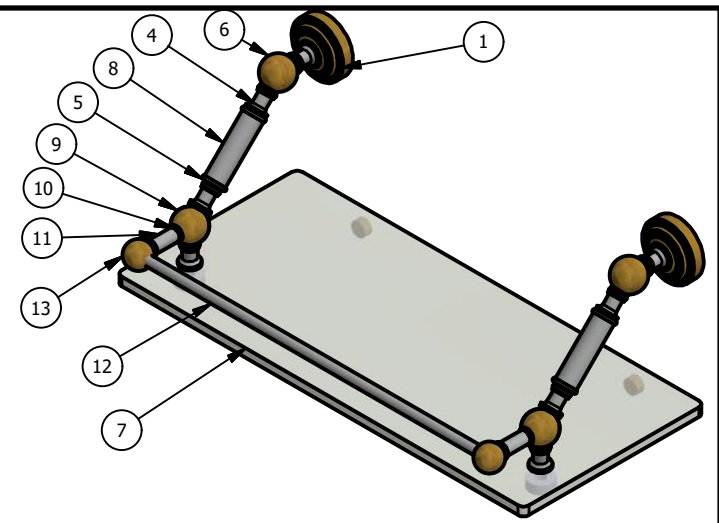
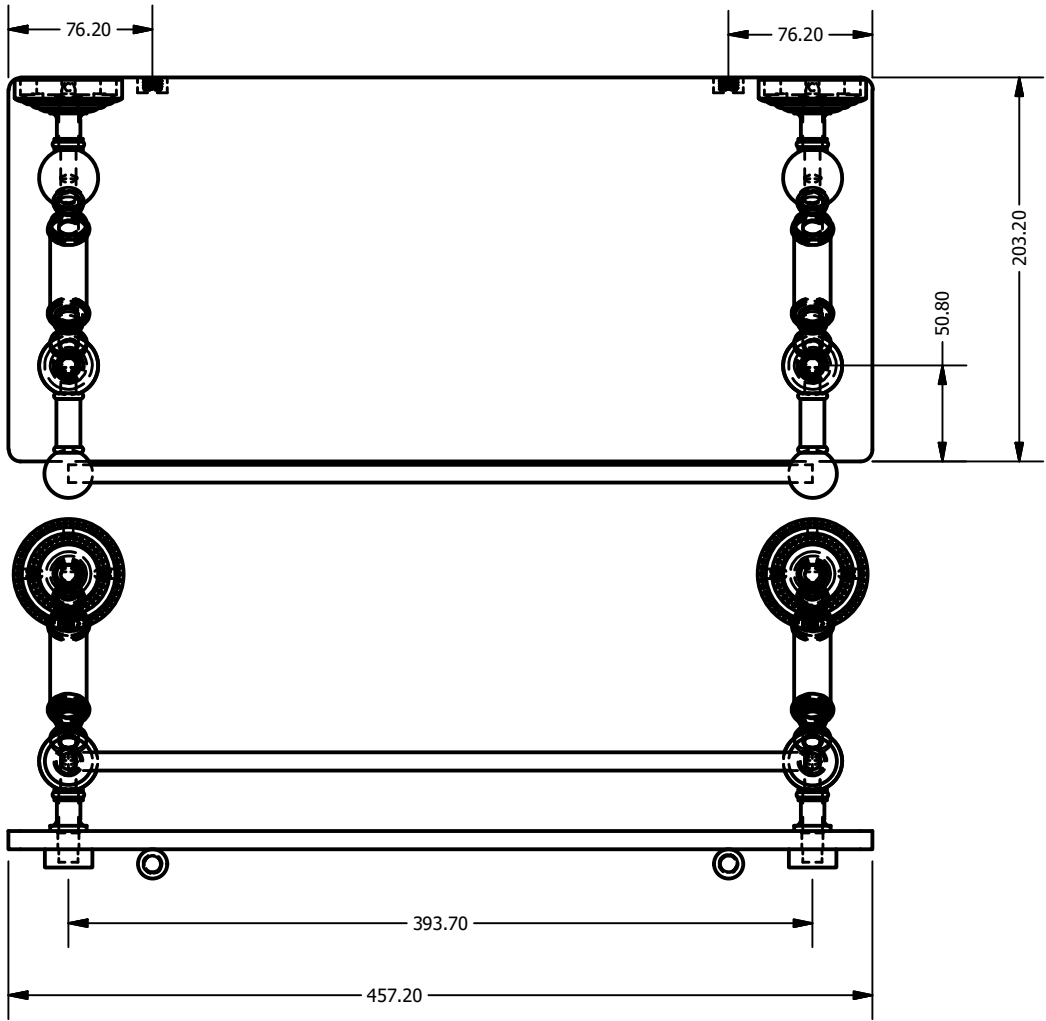


2

1



DT-1-18-GAL			
ITEM	QTY	PART NUMBER	DESCRIPTION
1	2	BPDT	BACKPLATE
2	2	CARD-58	CAP
3	2	CARD-1	CAP
4	8	NKSL-78	7/8 Inch Neck Slip Fitting X .75 Inch Diameter
5	4	CRRD-34	CHECK RING
6	2	BL2TD-135-1.25	2 TAP FOR GLASS SHELF
7	1	GLRT-8X18	GLASS
8	2	TU-34-2.5	TUBE
9	2	BL3TD-135-1.25	3 TAP FOR GLASS SHELF
10	4	CRRD-12	CHECK RING
11	2	TU12-1	TUBE 1"
12	1	TU38-15.5	GALLERY TUBE
13	2	BLT2T-1	HUB

APPROVED FOR PRODUCTION
 By: RICHARD PAUL
 Date: 10-15-18

UNLESS OTHERWISE SPECIFIED	
.X	± .3mm
.XX	± .15mm
.XXX	± .008mm

UNIT IS IN MM.

DRAWN	10-15-18	IM
CHECKED	10-15-18	P.D.
APPROVED	10-15-18	R.A.

MATERIAL: BRASS
 DESCRIPTION: Dottingham Collection 18 Inch Floating Glass Shelf with Gallery Shelf



FINISH	TBD
QTY	TBD
DRAWING NO. DT-1-18-GAL	
SCALE: 1.5:1	SHEET: 1 OF 1
REV: 0	A4

2

1