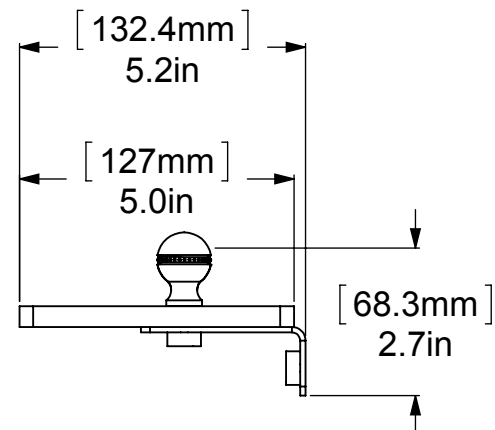
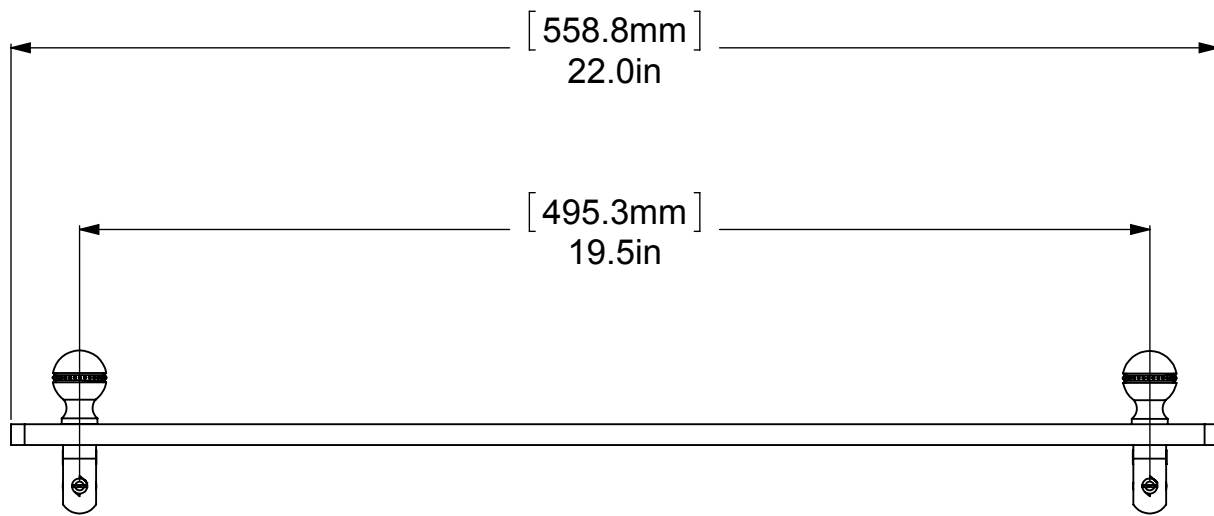
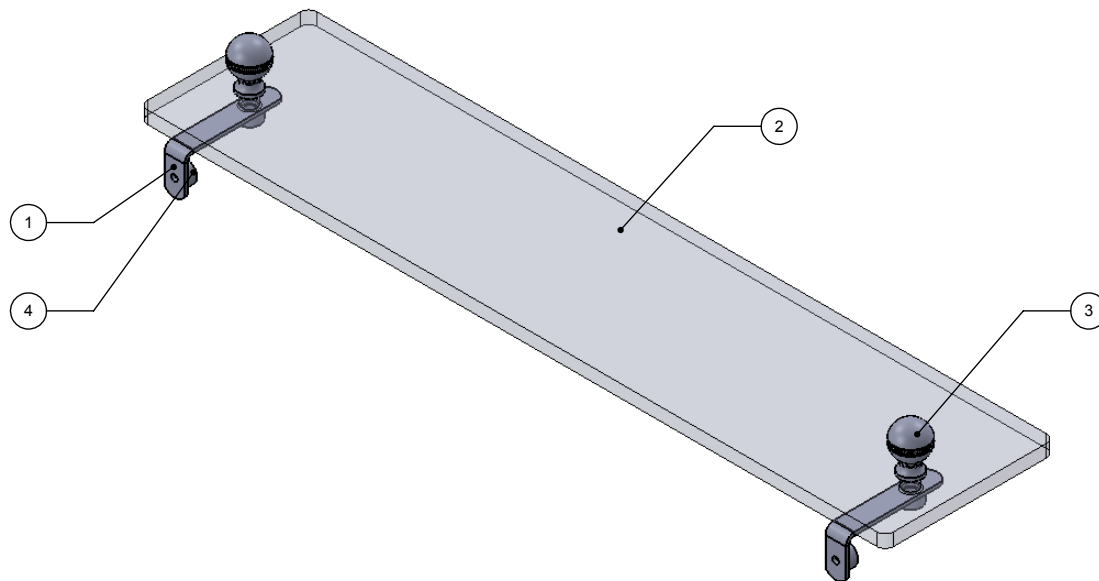


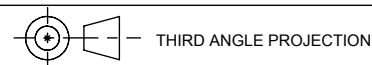
ITEM NO.	P/N	Description	QTY.
1	BKSH-2AD	BRACKET	2
2	GLRT-22	GLASS	2
3	MA-FT	END CAP	2
4	CARD-58	LOCK	4



UNLESS OTHERWISE STATED

.X	$\pm .3\text{mm}$
.XX	$\pm .15\text{mm}$
.XXX	$\pm .008\text{mm}$

COPYRIGHT © Allied Brass 2016



DRAWN	7/7/2016	I.M
CHECKED	7/7/2016	P.D
APPROVED	7/7/2016	R.A

MATERIAL:	BRASS
DESCRIPTION:	SHELF

FINISH	TBD
QUANTITY	TBD
DRAWING No.	MA-1-22
REV	0
SCALE	1:3.5
SHEET: 01	A4