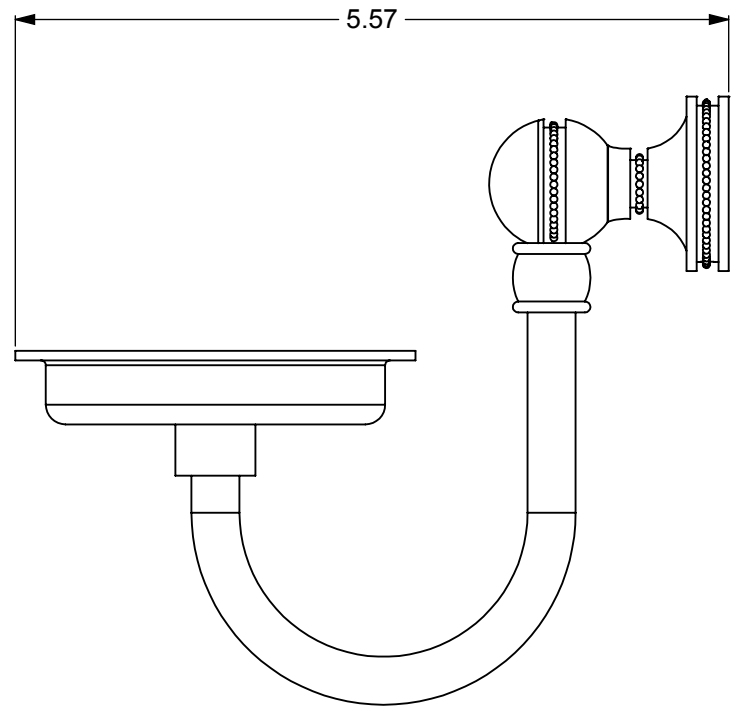
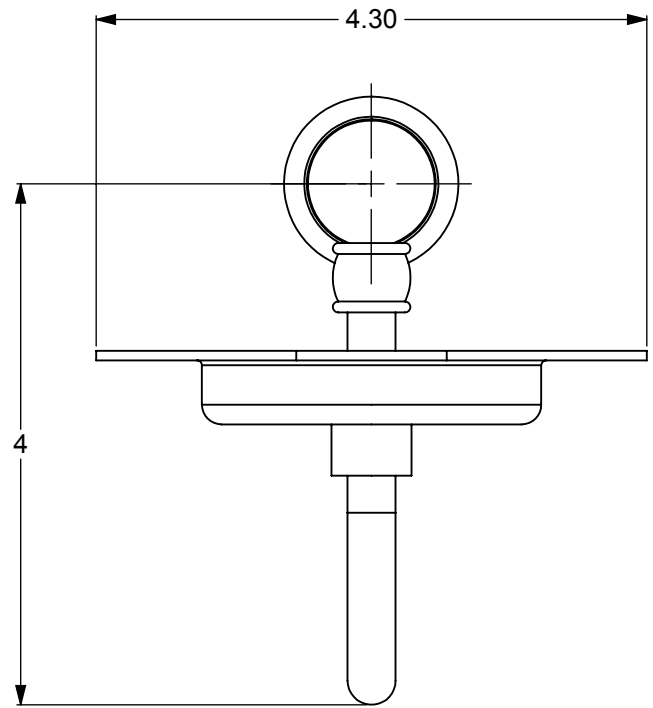
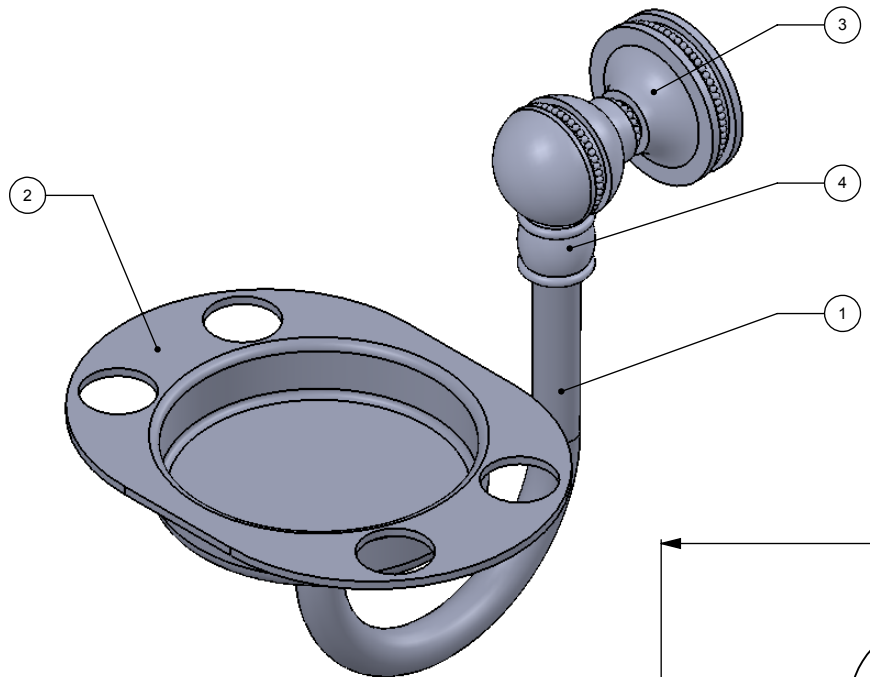


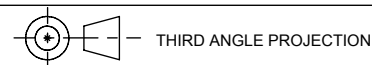
ITEM NO.	P/N	DESCRIPTION	QTY.
1	HKVT	U-PIPE	1
2	HROVT	TUB	1
3	PMSAR	BASE	1
4	PSRD-58	SUPPORT	1



UNLESS OTHERWISE STATED

.X	±.3mm
.XX	±.15mm
.XXX	±.008mm

COPYRIGHT © Allied Brass 2016



DRAWN	2-9-2016	I.M
CHECKED	2-9-2016	P.D
APPROVED	2-9-2016	R.A

MATERIAL:	BRASS
DESCRIPTION:	SOAP DISH



FINISH	TBD
QUANTITY	TBD
DRAWING No.	MA-26
REV	0
SCALE	1:1.5
SHEET: 01	A4