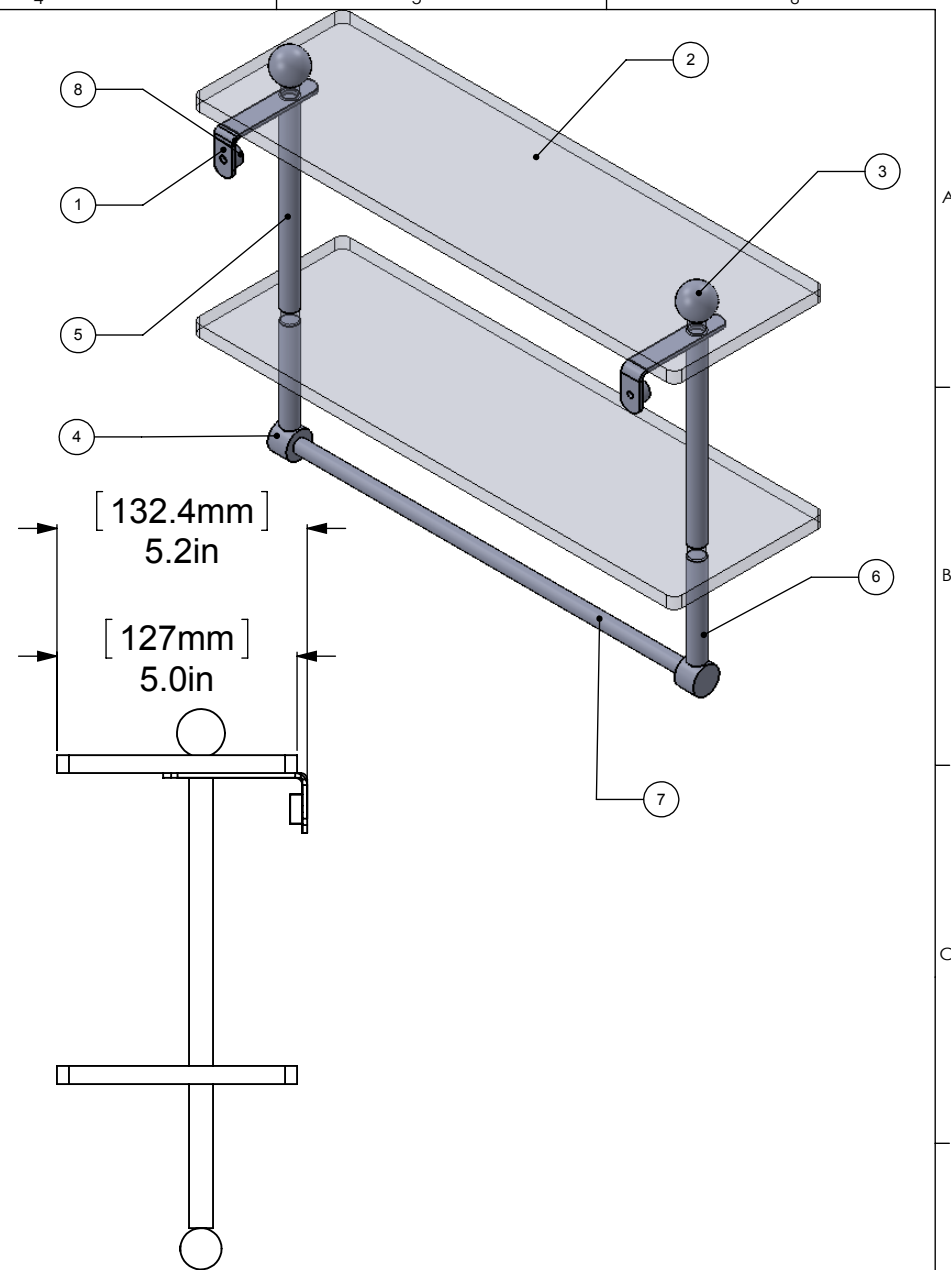
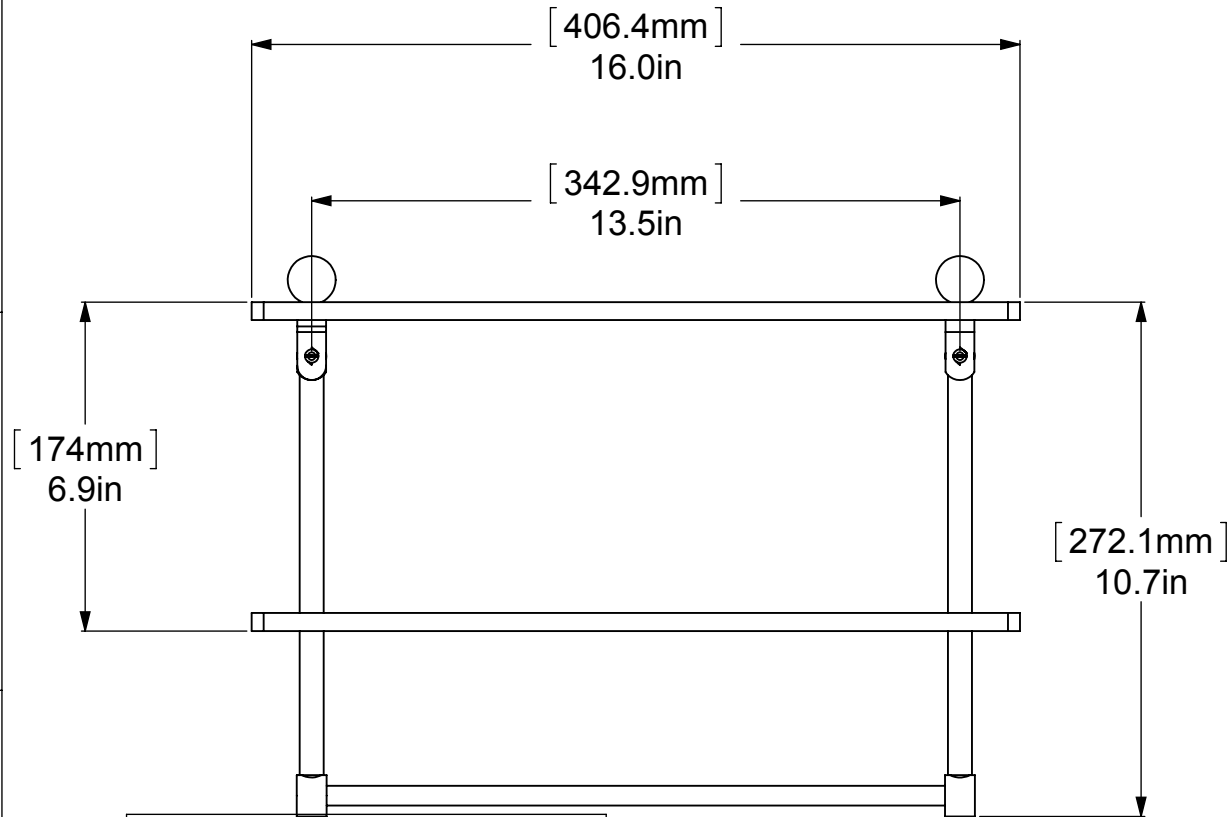


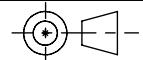
ITEM NO.	P/N	Description	QTY.
1	BKSH-2AD	BRACKET	2
2	GLRT-16	GLASS	2
3	BL1T-34	END BALL	2
4	HBBTT-78	HUB	2
5	TU12-6	TUBE SUPPORT	2
6	TU12-3	BOTTOM TUBE	2
7	TU38-13.5	TUBE	1
8	CARD-58	LOCK	2



UNLESS OTHERWISE STATED

.X	±.3mm
.XX	±.15mm
.XXX	±.008mm

COPYRIGHT © Allied Brass 2016



THIRD ANGLE PROJECTION

DRAWN	6/21/2016	I.M
CHECKED	6/21/2016	P.D
APPROVED	6/21/2016	R.A

MATERIAL:	BRASS	
DESCRIPTION:	SHELF WITH TOWEL BAR	

FINISH	TBD
QUANTITY	TBD
DRAWING No.	PR-2TB-16
REV	0
SCALE	1:4
SHEET: 01	A4