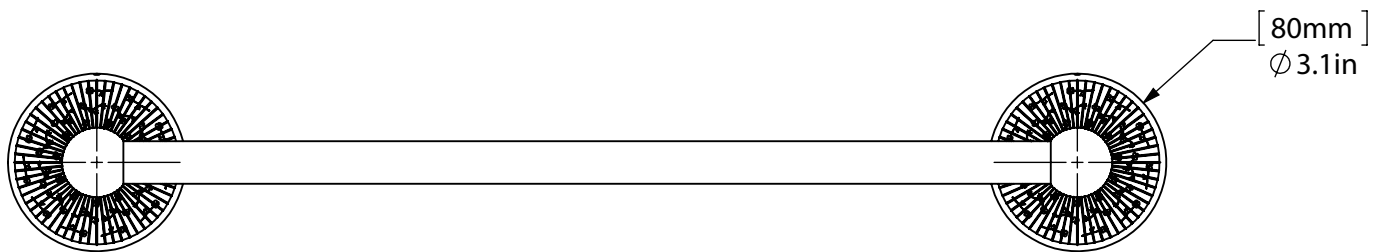
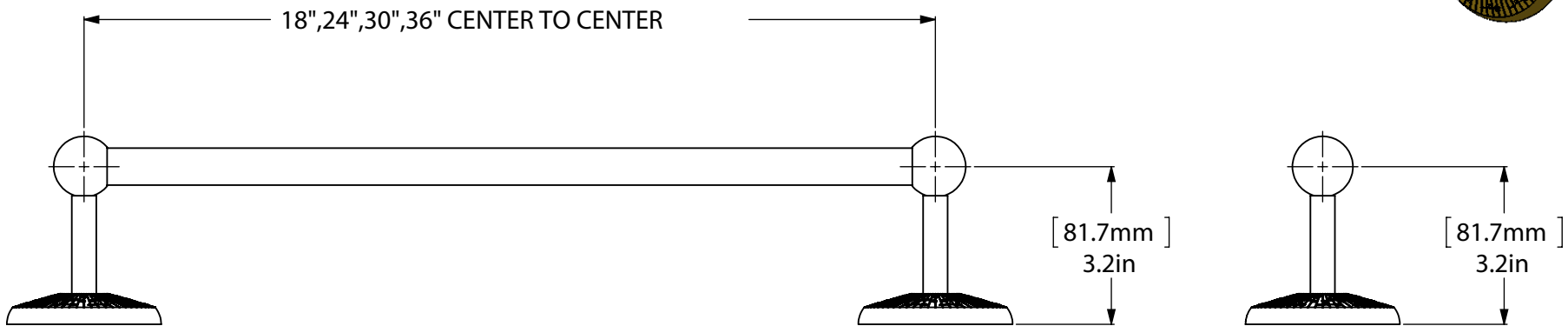
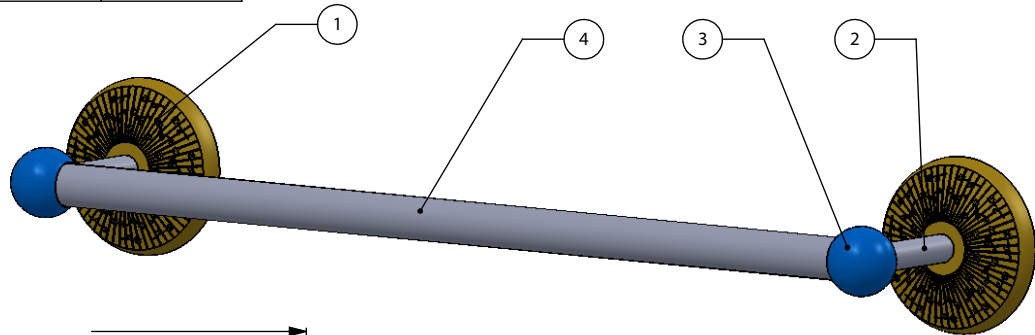



ITEM NO.	PART NUMBER	DESCRIPTION	QTY.
1	BPMC	Base	2
2	TU12-2	Support	2
3	BL34ST-1.25	Lock	2
4	TU34-18",24",30",36"	Tube	1



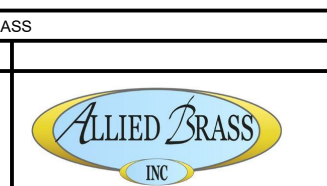
APPROVED FOR PRODUCTION  
 By: RICHARD PAUL  
 Date: □

UNLESS OTHERWISE SPECIFIED	
.X	± .3mm
.XX	± .15mm
.XXX	± .008mm

COPYRIGHT @ALLIEDBRASS 2019  
 THIRD ANGLE PROJECTION

DRAWN	IM	MATERIAL:
CHECKED	P.D.	BRASS
APPROVED	R.A.	DESCRIPTION:

Prestige Monte Carlo  
 Collection Towel Bar



FINISH	TBD
QTY	TBD
DRAWING NO.	
PMC-41	
SCALE	1.5:1
SHEET: 1 OF 1	REV
	0