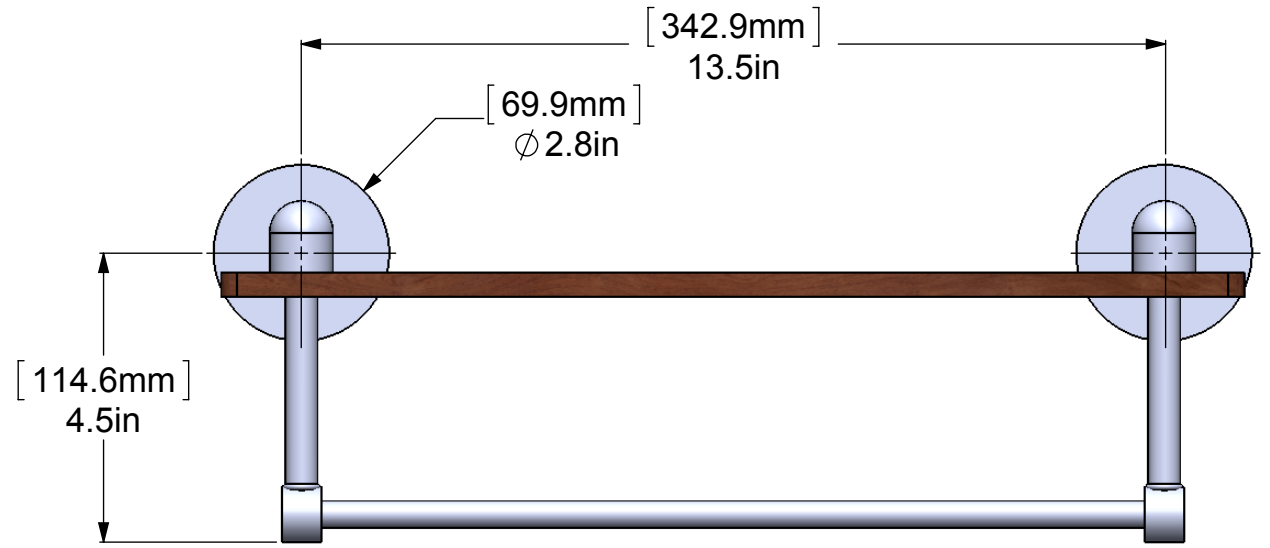
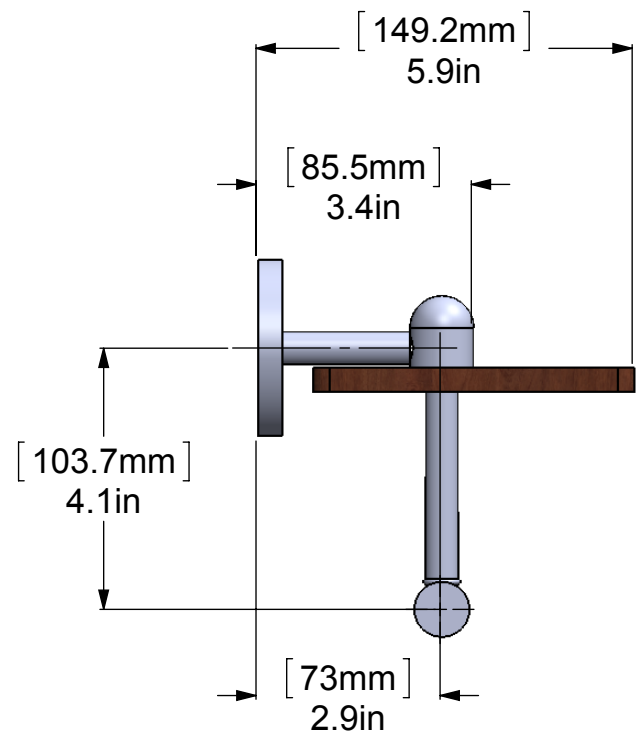
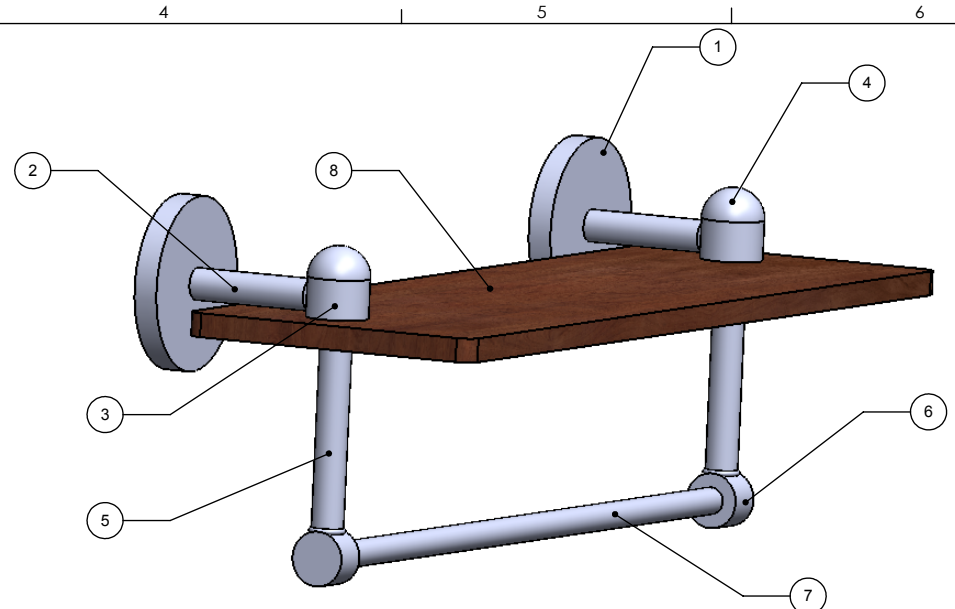


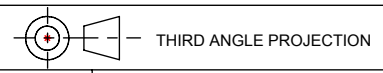
ITEM NO.	PART NUMBER	DESCRIPTION	QTY.
1	BPRD	Base	2
2	TU12-2	NECK	2
3	HB1T-1	Hub	2
4	CAHR-1	CAP	2
5	TU12-3	SUPPORT	1
6	HBBT-78	HUB BOTTOM	2
7	TU38-13.5	BOTTOM TUBE	1
8	IRWRT-16	WOOD SHELF	1




UNLESS OTHERWISE STATED

.X	$\pm .3\text{mm}$
.XX	$\pm .15\text{mm}$
.XXX	$\pm .008\text{mm}$

COPYRIGHT © Allied Brass 2016



DRAWN	1/22/2017	I.M	MATERIAL:	BRASS		FINISH	TBD
CHECKED	1/22/2017	P.D	DESCRIPTION:			QUANTITY	TBD
APPROVED	1/22/2017	R.A	Tango Collection Solid IPE Ironwood Shelf with Integrated Towel Bar			DRAWING No.	REV
						TA-1TB-16-IRW	
						SCALE	1:3 SHEET: 01 A4