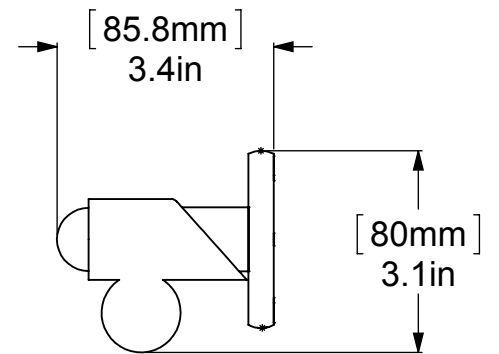
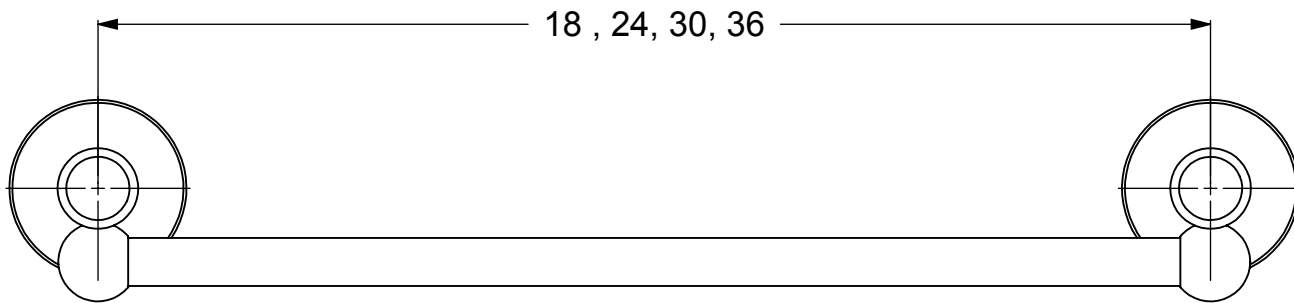
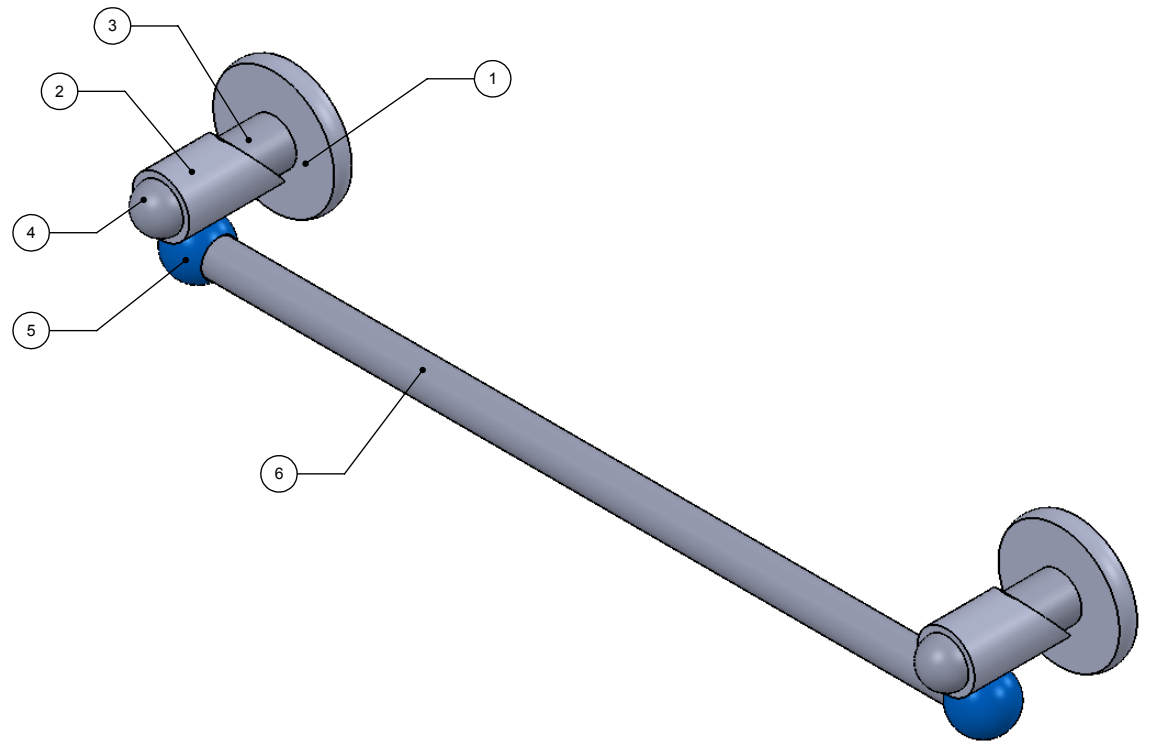


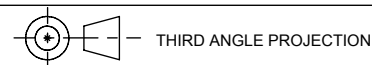
ITEM NO.	P/N	Description	QTY.
1	BPRD	BACKPLATE	2
2	BKSVT	SUPPORT	2
3	TU12-2	TUBE	2
4	CAHR-1	CAP	2
5	BL34ST-1.25	BALL HUB	2
6	TU34	BAR	1



UNLESS OTHERWISE STATED


.X	$\pm .3\text{mm}$
.XX	$\pm .15\text{mm}$
.XXX	$\pm .008\text{mm}$

COPYRIGHT © Allied Brass 2016



DRAWN	8/3/2016	I.M
CHECKED	8/3/2016	P.D
APPROVED	8/3/2016	R.A

MATERIAL:	BRASS
DESCRIPTION:	TOWEL BAR



FINISH	TBD
QUANTITY	TBD
DRAWING No.	SH-41
REV	0
SCALE	1:3
SHEET: 01	A4