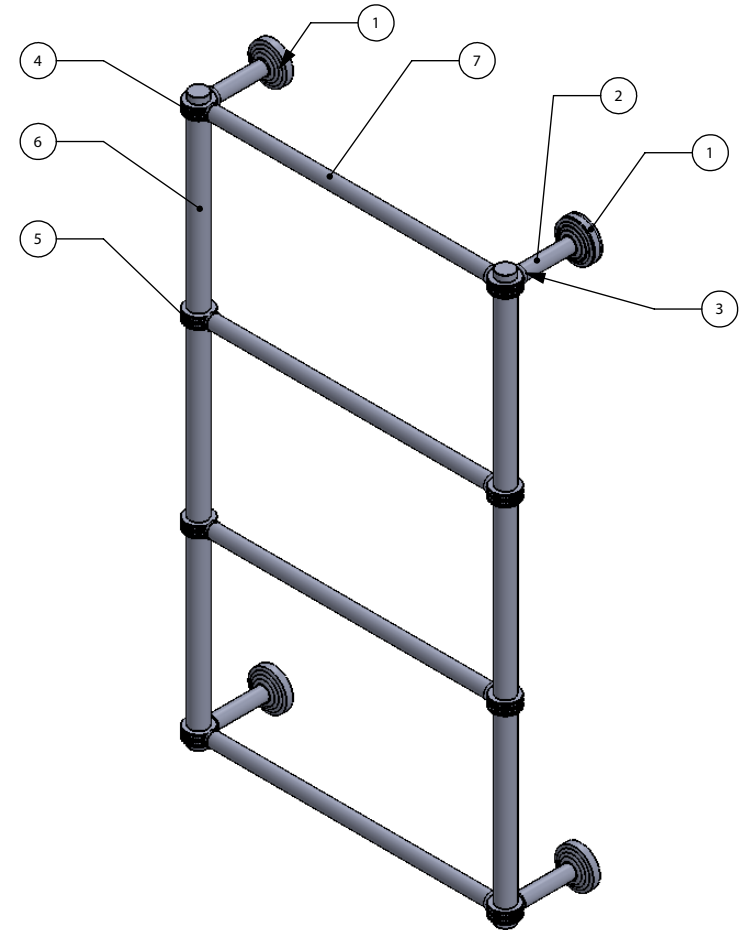
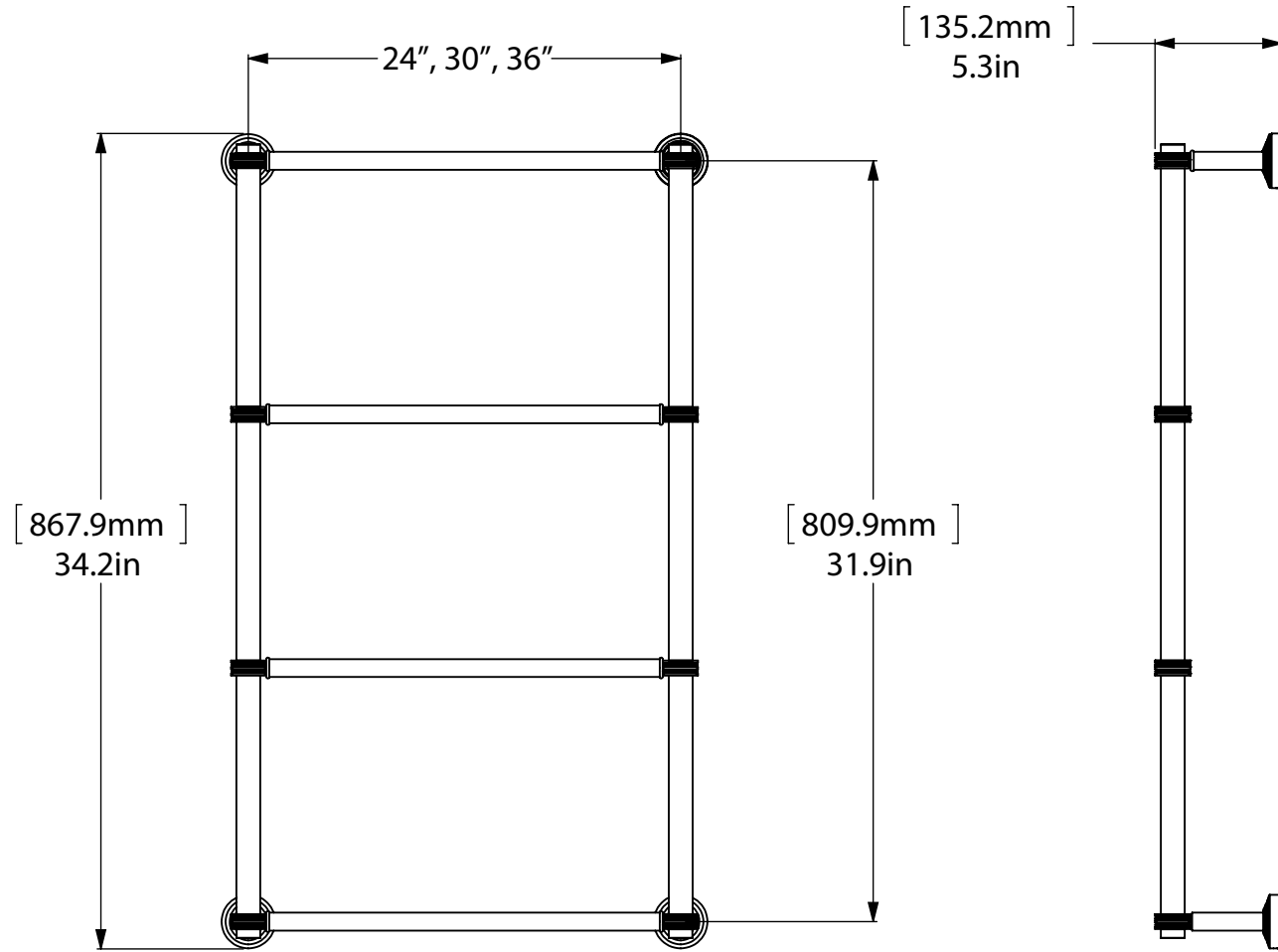


ITEM NO.	P/N	Description	QTY.
1	BPWV	BACKPLATE	4
2	TU34-3	POST	4
3	CRRD-34	CHECK RING	20
4	RGDTD	HUB	4
5	RGDTT	HUB	4
6	TU1-10	TUBE	6
7	TU34-24,30,36	BAR	4



UNLESS OTHERWISE STATED

.X	$\pm .3\text{mm}$
.XX	$\pm .15\text{mm}$
.XXX	$\pm .008\text{mm}$

COPYRIGHT © Allied Brass 2018



APPROVED FOR PRODUCTION

BY: RICHARD PAUL
DATE: 01/05/2018

DRAWN	1-05-18	I.M
CHECKED	1-05-18	P.D
APPROVED	1-05-18	R.A

MATERIAL:	BRASS
DESCRIPTION:	LADDER TOWEL BAR



FINISH	TBD
QUANTITY	TBD
DRAWING No.	WP-28D
REV	0
SCALE	1:8
SHEET: 01	A4