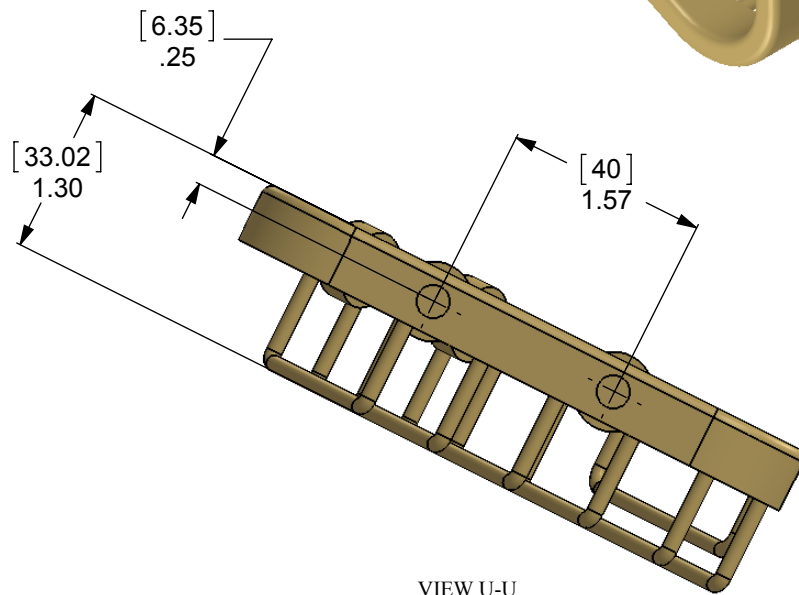
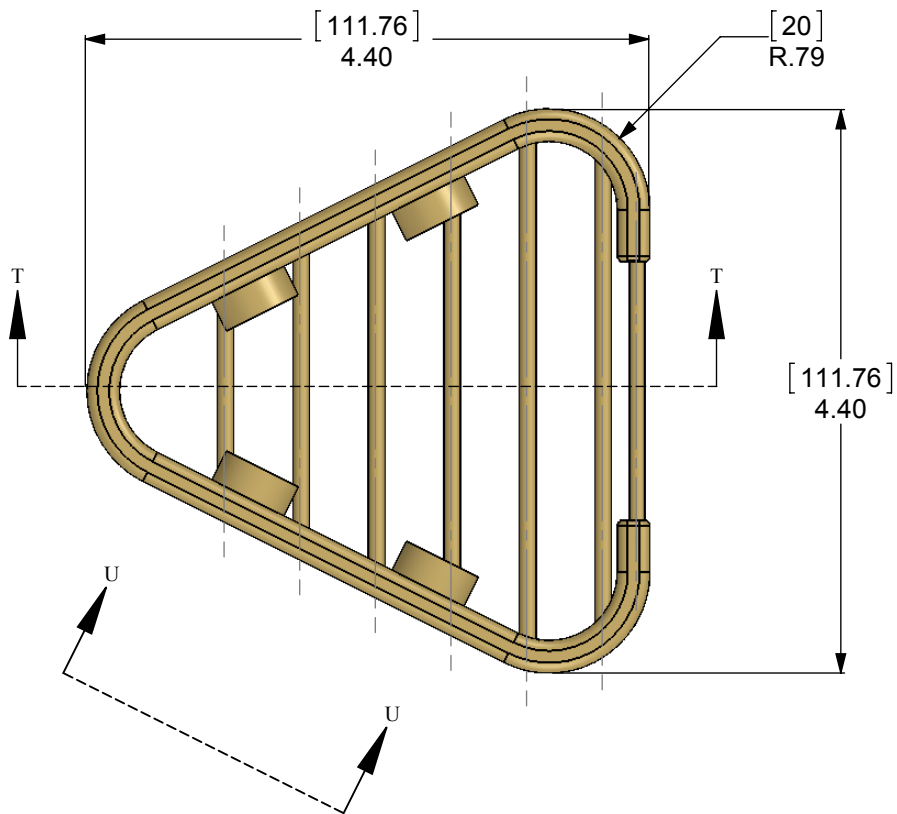
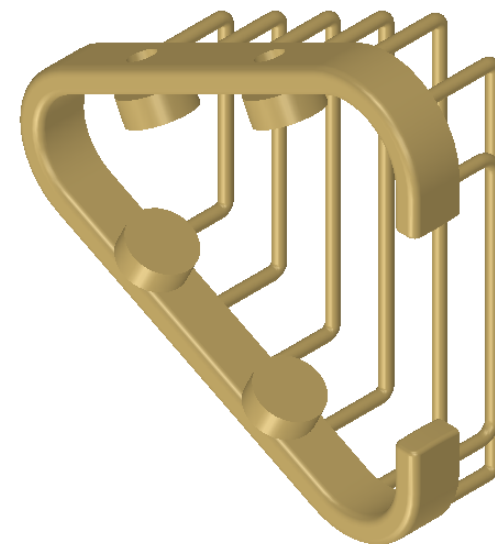


SECTION T-T

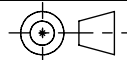


VIEW U-U


UNLESS OTHERWISE STATED

.X	±.3mm
.XX	±.15mm
.XXX	±.008mm

COPYRIGHT © Allied Brass 2015



THIRD ANGLE PROJECTION

DRAWN	2-10-16	I.M	MATERIAL:	BRASS	FINISH	TBD
CHECKED	2-10-16	P.D	DESCRIPTION:		QUANTITY	TBD
APPROVED	2-10-16	R.A	SHOWER BASKET		DRAWING No.	REV
					BSK-10ST	0
				SCALE	1:1.5	SHEET: 01 A4