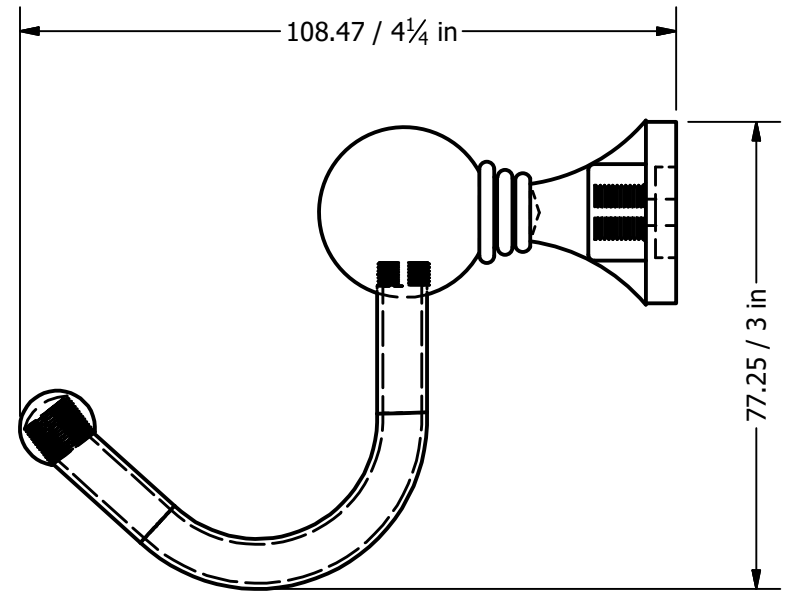
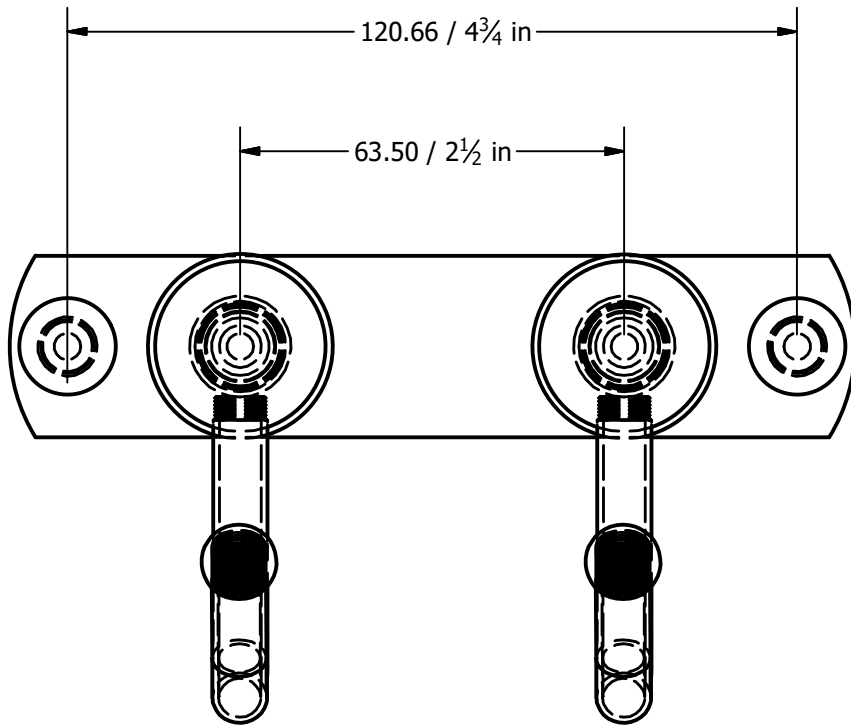
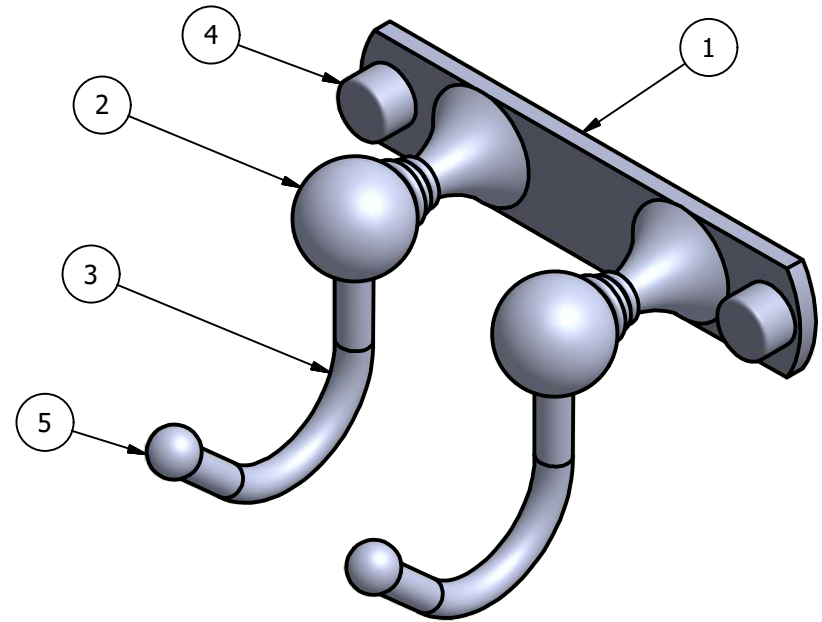


SL-20-2			
ITEM	QTY	PART NUMBER	DESCRIPTION
1	1	BPHK-5	DOUBLE HOOK PLATE
2	2	SGRHPOST	POST
3	2	HKHK	BENT TUBE
4	2	CARD-58	CAP
5	2	BL1T-34	3/4 Inch Ball Single Tap



**APPROVED FOR PRODUCTION**

By: RICHARD PAUL  
Date: 2-28-18

UNLESS OTHERWISE SPECIFIED	
.X	± .3mm
.XX	± .15mm
.XXX	± .008mm

DRAWN 2-28-18 IM		MATERIAL: BRASS		FINISH	TBD
CHECKED 2-28-18 P.D.		DESCRIPTION:		QTY	TBD
APPROVED 2-28-18 R.A.		Shadwell Collection 2 Position Multi Hook		DRAWING NO. SL-20-2	
THIRD ANGLE PROJECTION		ALLIED BRASS INC		SCALE	1:1
				SHEET: 1 OF 1	REV 0



DRAWING NO. SL-20-2		REV 0
SCALE	1:1	SHEET: 1 OF 1