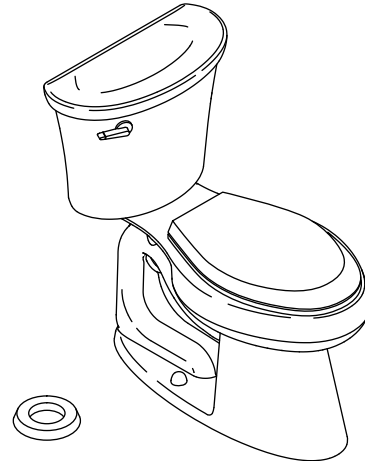


THE COMPLETE SOLUTION® TOILET K-45989

Features

- Vitreous china
- Elongated bowl
- Class Five® dual flushing system
- Less supply
- 12" (305 mm) rough-in
- High efficiency 1.6 gpf (6.0 lpf) or 1.1 gpf (4.2 lpf)
- 2-1/8" (54 mm) glazed trapway
- Includes seat, cover, wax ring, left-hand polished chrome trip lever, and floor hardware
- 11-3/8" (289 mm) x 8" (203 mm) water area
- 29-3/4" (756 mm) x 19-3/4" (502 mm) x 30-1/2" (775 mm)

ADA CSA B651 OBC



Codes/Standards Applicable

Specified model meets or exceeds the following:

- ADA
- ICC/ANSI A117.1
- CSA B651
- OBC
- ASME A112.19.2/CSA B45.1
- EPA WaterSense®

Colors/Finishes

- 0: White

Accessories

- CP: Polished Chrome
- Other: Refer to Price Book for additional colors/finishes

Specified Model

Model	Description	Trip Lever	Colors/Finishes
K-45989	The Complete Solution toilet	left-hand	<input type="checkbox"/> 0
Recommended Accessories			
K-7637	Angle supply with stop – 3/8" NPT		<input type="checkbox"/> CP <input type="checkbox"/> Other_____

Product Specification

The elongated bowl toilet shall be made of vitreous china. Toilet shall be 29-3/4" (756 mm) in length, 19-3/4" (502 mm) in width, and 30-1/2" (775 mm) in height with an 11-3/8" (289 mm) by 8" (203 mm) water area. Toilet shall be for 12" (305 mm) rough-in. Toilet shall feature a 1.6 gpf (6.0 lpf) or 1.1 gpf (4.2 lpf) Class Five dual flushing system. Toilet shall include bowl, tank, seat, cover, wax ring, left-hand polished chrome trip lever, and floor hardware. Toilet shall be less supply. Toilet shall have a 2-1/8" (54 mm) glazed trapway. Elongated bowl toilet shall be Kohler Model K-45989-_____.

Technical Information

Fixture:	
Configuration	two-piece, elongated
Water per full flush	1.6 gpf (6.0 lpf)
Water per half flush	1.1 gpf (4.2 lpf)
Passageway	2-1/8" (54 mm)
Water area	11-3/8" (289 mm) x 8" (203 mm)
Water depth from rim	5-3/8" (137 mm)
Seat post hole centers	5-1/2" (140 mm)

Included components:	
Bowl	K-4199
Tank	K-4137
Tank cover	1145294
Trip lever, left-hand	K-9236
Toilet seat	K-4636
Bolt cap accessory pack	1013092
Wax ring and hardware installation kit	1023457

Installation Notes

Install this product according to the installation guide.

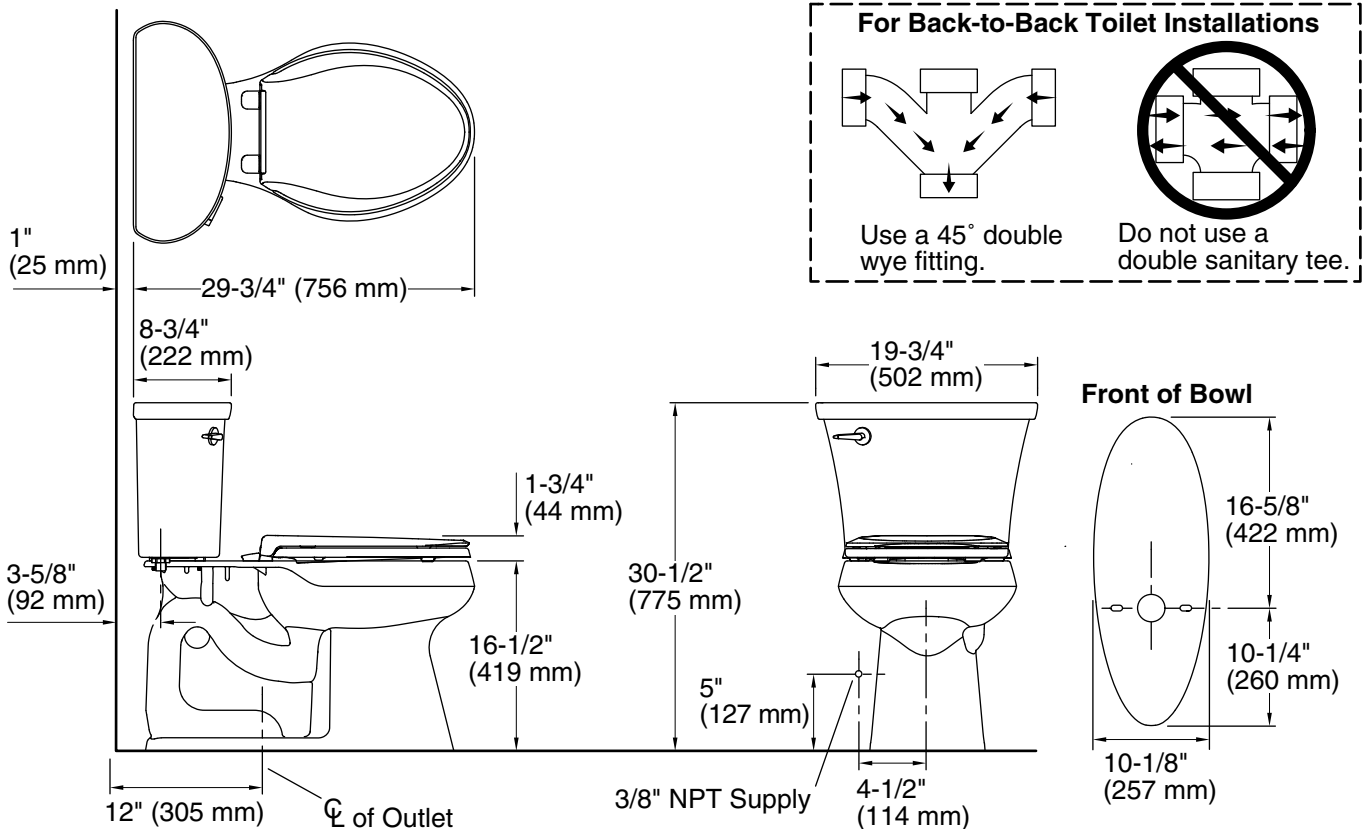
For back-to-back toilet installations: Use only a 45° double wye fitting.

Will comply with the American Disabilities Act (**ADA**) when installed per the requirements of the Accessibility Guidelines, Section 604 Water Closets, of the Act. The Model Plumbing Codes require the installation of elongated open-front toilet seats in public bathrooms.

The model is acceptable for left-hand Accessible compartment installations only.

Will comply with **CSA B651** when installed per Clause 4.3.6 of the standard.

Will comply with **OBC** when installed per Clause 3.8.3.8 and 3.8.3.9.



Product Diagram