

### Features

- Vitreous China.
- Comfort Height® Elongated bowl.
- AquaPiston® flushing system.
- Includes left-hand polished chrome trip lever.
- 1.28 gpf (4.8 lpf)
- Complete Solution® toilets provide everything you need in one box, including bowl, tank, seat, wax ring and floor hardware.
- 2-1/8" (54 mm) fully glazed trapway.
- 12" (305 mm) rough in.
- Supply line not included.
- 10-1/2" x 7-7/8" (267 mm x 200 mm) water area.
- 29-1/2" (692 mm) x 17-5/8" (448 mm) x 30-1/2" (775 mm)
- Floor mount / Floor outlet
- Coordinates with other products in the Cimarron collection.

### Recommended Accessories

- K-75796 Cachet® Nightlight Quiet-Close™ Elongated Toilet Seat
- K-5588 Purefresh® Elongated Toilet Seat
- K-5420 Low-Profile Bolt Caps

### Components

Product includes:

- K-4636 Cachet® Quiet-Close™ Elongated Toilet Seat
- Additional included component/s: Tank cover, Trip Lever, Wax ring and hardware installation kit.



### Codes/Standards

ASME A112.19.2/CSA B45.1  
DOE - Energy Policy Act 1992  
EPA WaterSense®  
California Energy Commission (CEC)  
ADA  
ICC/ANSI A117.1  
CSA B651  
OBC

### KOHLER® One-Year Limited Warranty

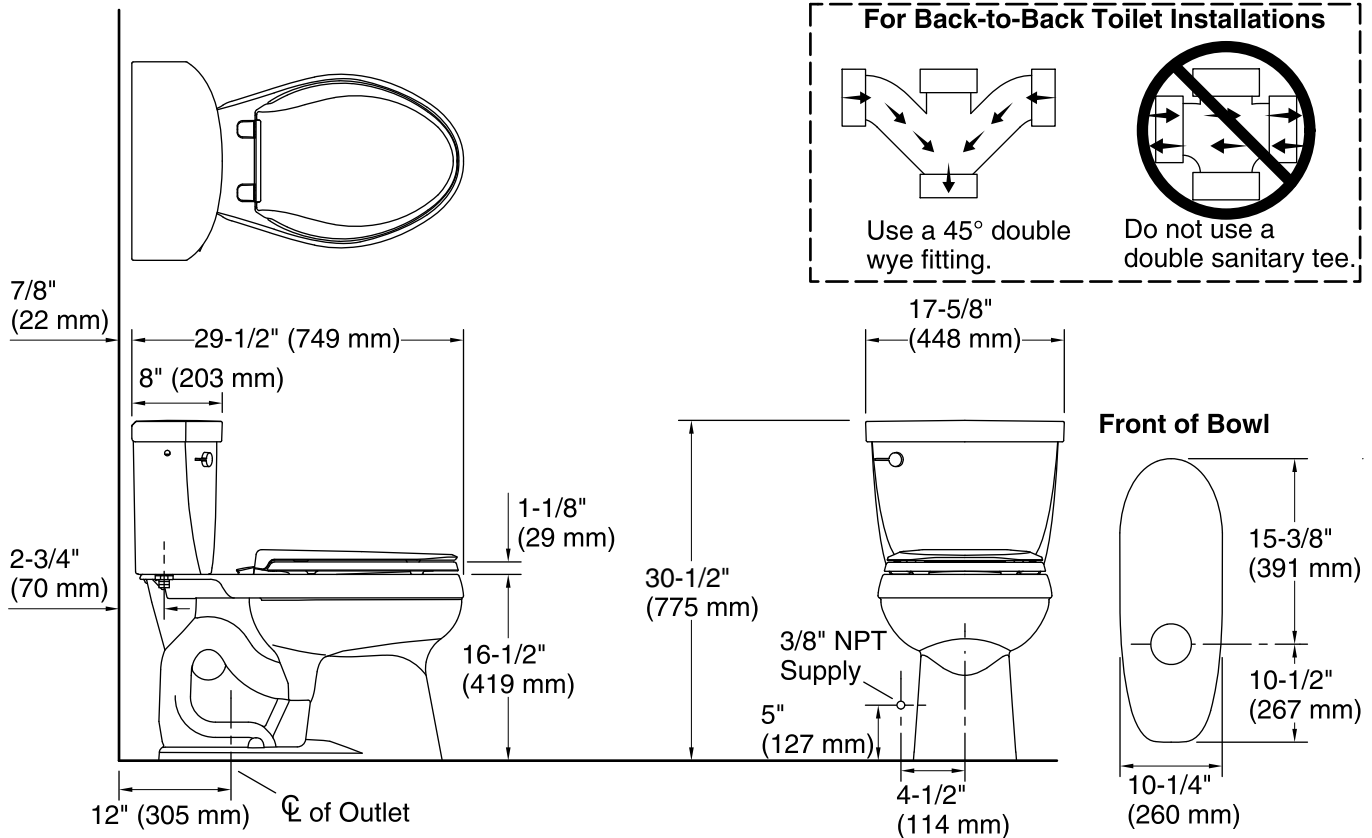
See website for detailed warranty information.

### Available Color/Finishes

*Color tiles intended for reference only.*

Color	Code	Description
-------	------	-------------

	0	White
--	---	-------



## Technical Information

All product dimensions are nominal.

Toilet type:	Two-piece, Floor-mount
Waste Outlet:	Floor
Bowl shape:	Elongated
Trap passageway:	2-1/8" (54 mm)
Water surface size:	10-1/2" x 7-7/8" (267 mm x 200 mm)
Rim to water surface:	6" (152 mm)
Seat-mounting holes:	5-1/2" (140 mm)

## Notes

Install this product according to the installation instructions.

NOTE: Product does not include a supply line, as the length needed varies per installation.

For back-to-back toilet installations: Use only a 45° double wye fitting.

This model is acceptable for left-hand Accessible compartment installations only.

ADA, OBC, CSA B651 compliant when installed to the specific requirements of these regulations.

Plumbing codes may require elongated toilets and elongated, open-front seats in public bathrooms.

Accessibility standards may require controls to be located on the open side of the toilet.