

CHAMPION® 4 HET RIGHT HEIGHT® ELONGATED COMPLETE TOILET

VITREOUS CHINA

CHAMPION® 4 HET RIGHT HEIGHT® ELONGATED COMPLETE TOILET

□ 2793528NT

- Vitreous china
- EverClean® Surface included
- Meets definition for HET (High Efficiency Toilet)
- High efficiency (1.28 gpf/4.8 Lpf)
- Meets EPA WaterSense® Criteria
- Features **Champion® Flushing System**
- 4" non-adjustable piston action Accelerator™ flush valve
- 16-1/2" rim height for accessible applications
- 2-3/8" fully-glazed trapway
- Speed Connect® tank/bowl coupling system
- Chrome finish trip lever is supplied
- Sweeping pier on bowl
- 100% factory flush tested
- 2 bolt caps
- Colour-matched telescopic slow-close plastic toilet seat
- Wax ring gasket with closet bolts
- 10 year warranty, 1 year on seat
- **Easy Installation.** Everything needed for toilet installation is included and can be hand tightened

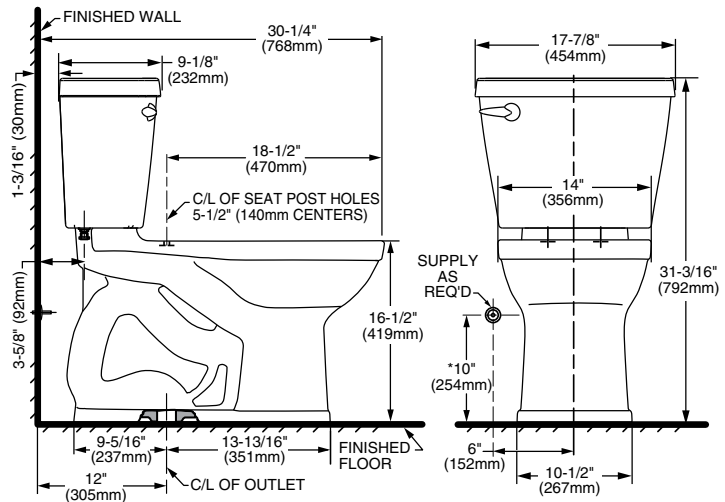
Nominal Dimensions:

768 x 454 x 792mm
(30-1/4" x 17-7/8" x 31-3/16")

Compliance Certifications -

Meets or Exceeds the Following Specifications:

- ASME A112.19.2/CSA B45.1 for Vitreous China Fixtures
- US EPA WaterSense® Specification for HETs



NOTES:

THIS TOILET IS DESIGNED TO ROUGH-IN AT A MINIMUM DIMENSION OF 305MM (12") FROM FINISHED WALL TO C/L OF OUTLET.
SUPPLY NOT INCLUDED WITH FIXTURE AND MUST BE ORDERED SEPARATELY.
* DIMENSION SHOWN FOR LOCATION OF SUPPLY IS SUGGESTED.

IMPORTANT: Dimensions of fixtures are nominal and may vary within the range of tolerances established by ASME A112.19.2/CSA B45.1
These measurements are subject to change or cancellation. No responsibility is assumed for use of superseded or voided pages.

To Be Specified:

- Colour: White
- Supply with stop:

CHAMPION® 4
Flushing System



MEETS THE AMERICANS WITH DISABILITIES ACT GUIDELINES AND ICC ANSI A117.1 REQUIREMENTS FOR ACCESSIBLE AND USABLE BUILDING FACILITIES-CHECK LOCAL CODES.

