

**ASTUTE™ VORMAX™ HET RIGHT HEIGHT®  
ELONGATED COMPLETE TOILET**

**727AA124**

- VorMax Flushing System cleans 2 times better than conventional toilets <sup>Δ</sup>
- CleanCurve™ Rim eliminates the rim area where dirt and buildup hide
- EverClean® surface inhibits the growth of stain and odor-causing bacteria, mold and mildew on the surface
- Meets definition for HET (High Efficiency Toilet)
- High efficiency (4.8 Lpf/1.28 gpf)
- Meets EPA WaterSense® criteria
- 305mm (12") rough-in
- Comfortable 16-1/2" rim height for ADA accessible applications
- Superior solid waste removal with a 2-1/16" fully glazed trapway
- Generous 9" x 8" water surface area
- Dual Injection Flush Valves
- Easy Installation. Everything needed for toilet installation is included and can be hand tightened
- Chrome-plated handle
- Includes plastic, Slow Close seat
- 2 colour-matched bolt hole covers
- 100% factory flush tested
- Wax ring gasket with closet bolts
- 10 year warranty, and 1 year warranty on seat



SEE REVERSE FOR ADDITIONAL ROUGHING-IN DIMENSIONS

**To Be Specified:**

- Colour:  White
- Supply with stop:

**Nominal Dimensions:**

30-5/8" x 17-1/2" x 30-11/16"  
(778 x 444 x 780mm)

Fixture, toilet seat, wax ring, and bowl bolts only.  
Supply line not included.

**Compliance Certifications -**

**Meets or Exceeds the Following Specifications:**

- ASME A112.19.2-2008/CSA B45.1-08 for Vitreous China Fixtures
- US EPA WaterSense® Specification for HET's

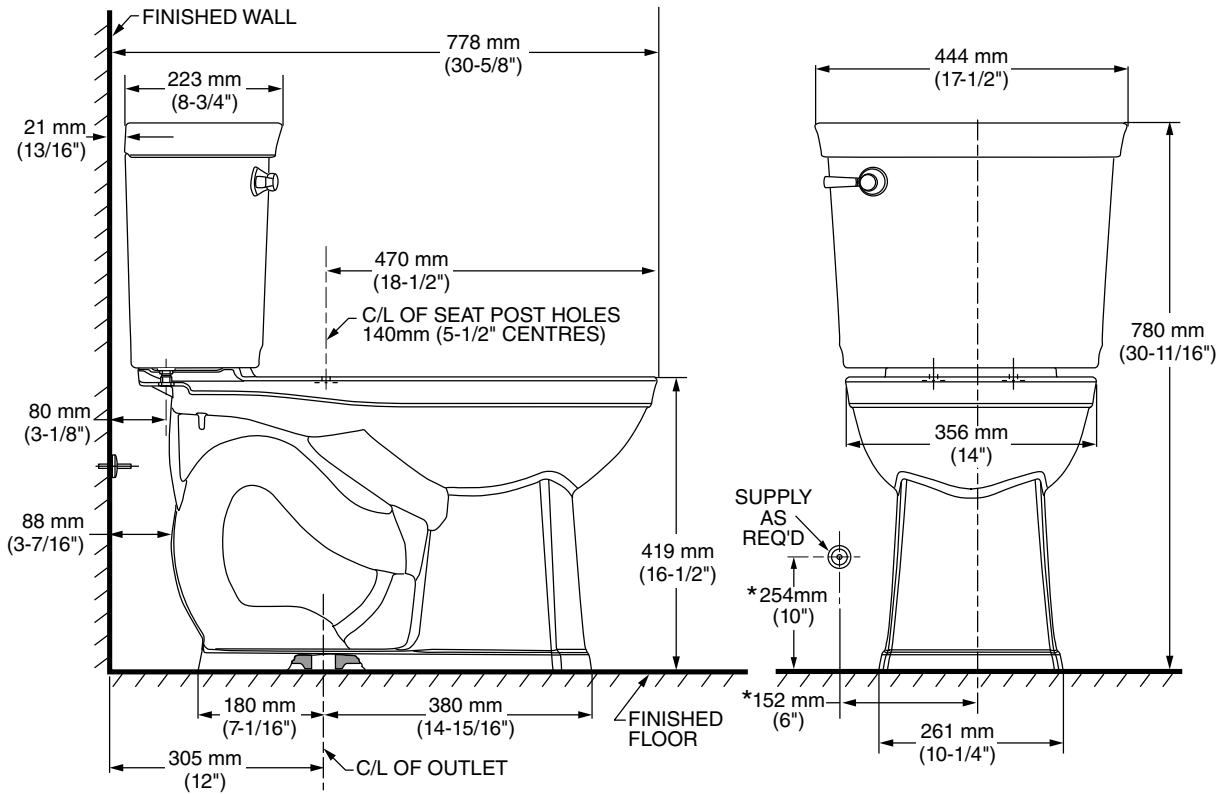
<sup>Δ</sup> **Source:** IAPMO R&T Labs Test Report No.109-141486-002, comparing VorMax™ against conventional under-the-rim-water-dispersal toilets from major retailers.



**MEETS THE AMERICANS WITH DISABILITIES ACT GUIDELINES AND ICC ANSI A117.1 REQUIREMENTS FOR ACCESSIBLE AND USABLE BUILDING FACILITIES-CHECK LOCAL CODES.**

**EVERCLEAN®**  
Surface





**NOTES:**

THIS TOILET IS DESIGNED TO ROUGH-IN AT A MINIMUM DIMENSION OF 305mm (12") FROM FINISHED WALL TO C/L OF OUTLET.  
SUPPLY NOT INCLUDED WITH FIXTURE AND MUST BE ORDERED SEPARATELY.  
\* DIMENSION SHOWN FOR LOCATION OF SUPPLY IS SUGGESTED.

**IMPORTANT:** Dimensions of fixtures are nominal and may vary within the range of tolerances established by ANSI Standard A112.19.2.  
These measurements are subject to change or cancellation. No responsibility is assumed for use of superseded or voided pages.