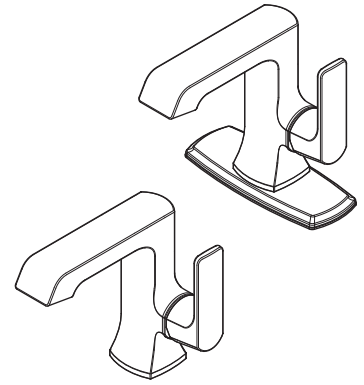


- LF-042-1PEB Finish(B)
- LF-042-1PEC Finish(C)
- LF-042-1PEGS Finish(GS)



## Specifications

- 1 or 3-Hole Installation
- Pforever Seal
- Push & Seal™ Pop-Up

### Features

- 1.2 GPM Flow Rate
- All Metal Construction
- Spot Defense Finish Resists Spots and Fingerprints (GS Finish Only)
- 1 or 3-Hole Installation; Single Hole or Optional Deckplate Mounting Option
- High Arc Spout
- Mounting Hardware Included
- Forward Handle Operation
- Push & Seal™ Pop-Up
- Pfast Connect Supply Lines
- TiteSeal™ Deckplate
- Pforever Seal Ceramic Disc Valve
- Pforever Warranty®

### Code Compliance

Pfister products are designed and manufactured in compliance with the following standards and codes:

- IAPMO Certified
- CSA B125 Certified
- ASME A112.18.1
- NSF 61/9 Annex G (Low lead)
- Cal Green Compliant
- CEC Compliant
- EPA WaterSense Certification 1.2 gpm, 4.5 L/Min
- ADA Compliant-ANSI A117.1 (Lever handles only)



## Dimensions

